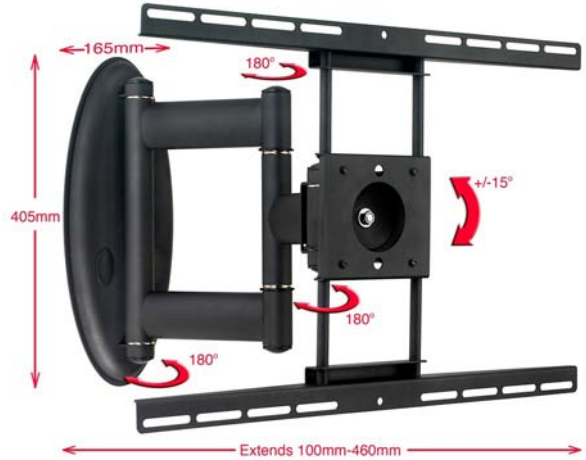


NEW UNIVERSAL LCD ARTICULATED SWING OUT ARM

UNIVERSAL LCD SWING-OUT WALL MOUNT

■ Includes Cable Management

-  Screen Size: **Most 26-42" LCD Models**
-  Max Mounting Points (WxH): **600 x 420mm**
-  Vesa: **75, 100, 200 x 100, 200, 300, 400mm**
-  Max Load: **37kg**
-  Colour: **Black**
-  Mounted Depth from Wall: **100 - 460mm**
-  Tilt: **15° Up/10° Down**
-  Pivot: **180°**
-  Rotation: **Portrait/Landscape**






Part No. **AM225**

(Includes UAP vesa / non vesa adapter)

NEW VESA TO UNIVERSAL ADAPTER



UNIVERSAL LCD VESA / NON VESA ADAPTER

-  Screen Size: **Most 26-42" LCD Models**
-  Max Mounting Points (WxH): **600 x 420mm**
-  Vesa: **75, 100, 200 x 100, 200, 300, 400mm**
-  Max Load: **37kg**
-  Colour: **Black**

Part No. **UAP**

(Adapter only! Requires additional wall/ceiling mount)

Please insert this page into your Premier Mounts Product Catalogue.

If you require an additional catalogue please contact us.

PREMIER MOUNTS LIMITED



Tel: +44 (0) 2476 614 700
 Email: sales@mounts.com
www.mounts.com

