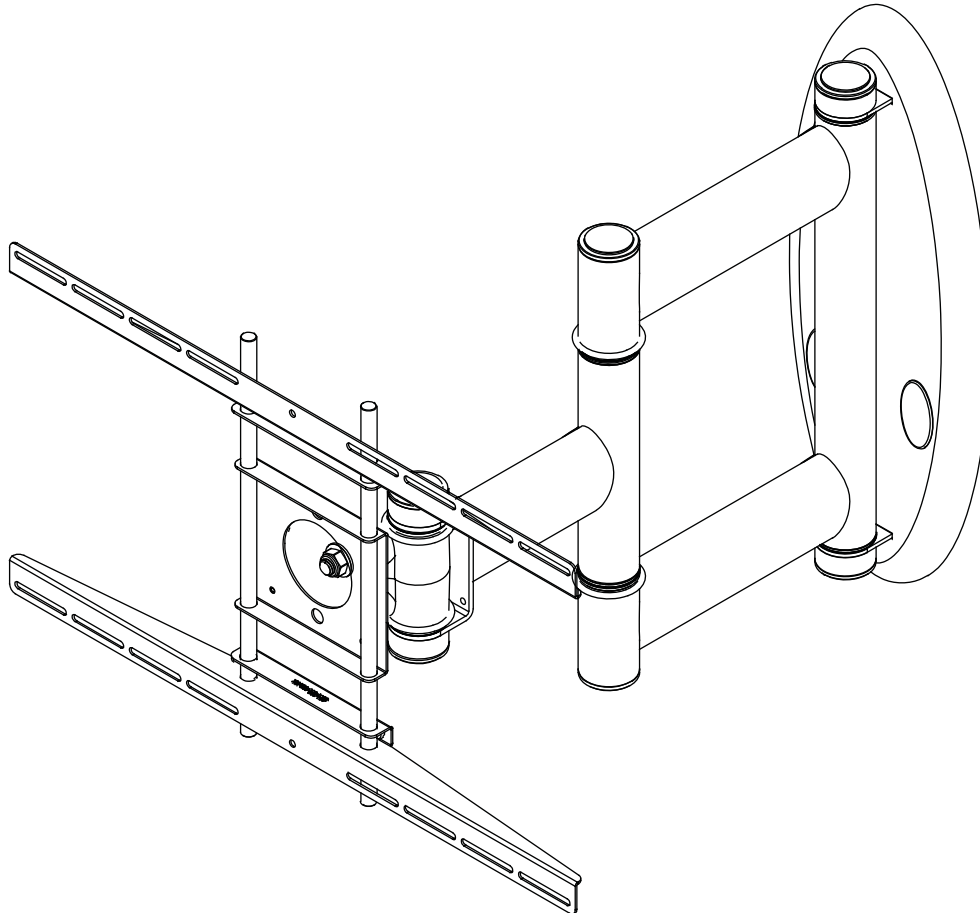


INSTALLATION INSTRUCTIONS



EU-AM225

Universal Low Profile Swingout Arm for 37" to 47" Flat Panels

NORTH AMERICA

3130 East Miraloma Avenue
Anaheim, CA 92806 USA
USA and Canada –
Phone: 800-368-9700
Fax: 800-832-4888

EUROPE

Swallow House,
Shilton Industrial Estate,
Shilton, Coventry, England CV79JY
Phone: +44 (0) 2476 614700
Fax: +44 (0) 2476 614710



Table of Contents

Warning Statements 2

Parts List 3

Installation Tools 3

Wood Stud Installation 5

Concrete Surface Installation 6

Determining the Mounting Hardware 8

Universal Spacer Installation 8

Attaching the Flat Panel (75mm/100mm Mounting Points) 9

EU-AM225 Installation 10

Tilt/Pivot Adjustment 10

Assembling the Adapter Plate 11

Universal Washer Installation 12

Attaching the Adapter Plate to the Flat Panel 13

Attaching the Flat Panel with the Adapter Plate 13

EU-AM225 Installation with the Adapter Plate 14


Tension Adjustment 15


Cable Management 15


Technical Specifications 16

Warranty 17


Warning Statements


 PRIOR TO THE INSTALLATION OF THIS PRODUCT, THE INSTALLATION INSTRUCTIONS SHOULD BE READ AND COMPLETELY UNDERSTOOD. THE INSTALLATION INSTRUCTIONS MUST BE READ TO PREVENT PERSONAL INJURY AND PROPERTY DAMAGE. KEEP THESE INSTALLATION INSTRUCTIONS IN AN EASILY ACCESSIBLE LOCATION FOR FUTURE REFERENCE.


 PREMIER MOUNTS DOES NOT WARRANT AGAINST DAMAGE CAUSED BY THE USE OF ANY PREMIER MOUNTS PRODUCT FOR PURPOSES OTHER THAN THOSE FOR WHICH IT WAS DESIGNED OR DAMAGE CAUSED BY UNAUTHORIZED ATTACHMENTS OR MODIFICATIONS, AND IS NOT RESPONSIBLE FOR ANY DAMAGES, CLAIMS, DEMANDS, SUITS, ACTIONS OR CAUSES OF ACTION OF WHATEVER KIND RESULTING FROM, ARISING OUT OF OR IN ANY MANNER RELATING TO ANY SUCH USE, ATTACHMENTS OR MODIFICATIONS.


 THE SURFACE MUST BE CAPABLE OF SUPPORTING AT LEAST FIVE TIMES THE WEIGHT OF THE FLAT PANEL. IF NOT, THE STRUCTURE MUST BE REINFORCED. THE MAXIMUM WEIGHT THAT CAN BE USED WITH THIS PRODUCT IS 80LBS. PROPER INSTALLATION PROCEDURE BY A QUALIFIED SERVICE TECHNICIAN, AS OUTLINED IN THE INSTALLATION INSTRUCTIONS, MUST BE ADHERED TO. FAILURE TO DO SO COULD RESULT IN SERIOUS PERSONAL INJURY, OR EVEN DEATH.


 SAFETY MEASURES MUST BE PRACTICED AT ALL TIMES DURING THE ASSEMBLY OF THIS PRODUCT. USE PROPER SAFETY GEAR AND TOOLS FOR THE ASSEMBLY PROCEDURE TO PREVENT PERSONAL INJURY.


 At least two qualified people should perform the assembly procedure. Injury and/or damage can result from dropping or mishandling the flat panel.

 If mounting to studs, make sure that the mounting screws are anchored into the center of the studs. Use of an edge-to-edge stud finder is recommended.

 Be aware of the mounting environment. If drilling and/or cutting into the mounting surface, always make sure that there are no electrical wires in wall. Cutting/drilling into an electrical line may cause serious injury.

 Make sure there are no water lines inside the wall where the mount is to be located. Cutting/drilling into a water line may cause severe water damage to the mounting surface.

 This product is intended for indoor use only. Use of this product outdoors could lead to product failure and personal injury.

 Do not install near sources of high heat. Do not install on a structure that is prone to vibration, movement or chance of impact

 Contact Premier Mounts with any questions
 (800) 368-9700
 techsupport@mounts.com



Parts List

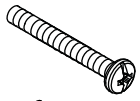


Congratulations on the purchase of your new Premier Mounts EU-AM225 flat panel mount. This mount is shipped with all proper installation hardware and components. Make sure that none of these parts are missing and/or damaged before beginning installation. If there are parts missing and/or damaged, please stop the installation and contact Premier Mounts.

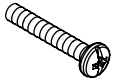
<p>EU-AM225 Hardware</p> <p>Cover Plate (Qty 1)</p>		<p>Wall Plate (Qty 1)</p>		<p>EU-UAP Hardware</p> <p>Adapter Plate (Qty 1)</p>	
<p>Plastic Wall Anchors (Qty 4)</p>		<p>#14 x 2" Wood Screws (Qty 4)</p>		<p>Universal Washers (Qty 6)</p>	
<p>14mm Socket</p>		<p>Concrete Wall Anchors (Qty 4)</p>		<p>4" Cable Ties (Qty 2)</p>	
<p>Adapter Arms (Qty 2)</p>		<p>Universal Spacers (Qty 30)</p>		<p>Thread Depth Indicator (Supplied)</p>	
<p>5/32" Allen Wrench (Supplied)</p>		<p>M3 Allen Wrench (Supplied)</p>		<p>M6 Set Screw (Qty 4)</p>	

Installation Tools (not supplied)

<p>Hand Held Drill</p>		<p>1/8" Drill Bit (wood only)</p>		<p>5/16" Drill Bit (concrete only)</p>		<p>Pencil</p>		<p>Level</p>	
<p>Electronic Studfinder</p>		<p>Hammer</p>		<p>Tape Measure</p>		<p>Phillips Tip Screwdriver</p>		<p>Socket Wrench</p>	



M4 x 45mm (Qty 6)



M4 x 30mm (Qty 6)



M4 x 25mm (Qty 6)



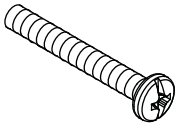
M4 x 16mm (Qty 6)



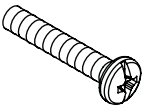
M4 x 10mm (Qty 6)



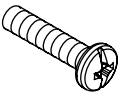
M4 x 8mm (Qty 4)



M6 x 45mm (Qty 6)



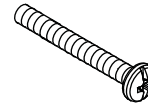
M6 x 30mm (Qty 6)



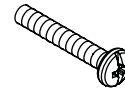
M6 x 25mm (Qty 6)



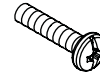
M6 x 16mm (Qty 6)



M5 x 45mm (Qty 6)



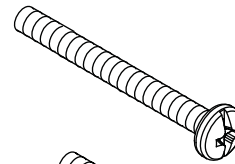
M5 x 30mm (Qty 6)



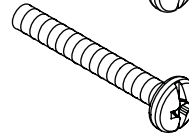
M5 x 25mm (Qty 6)



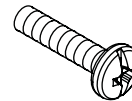
M5 x 16mm (Qty 6)



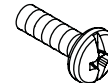
M8 x 45mm (Qty 6)



M8 x 30mm (Qty 6)



M8 x 25mm (Qty 6)



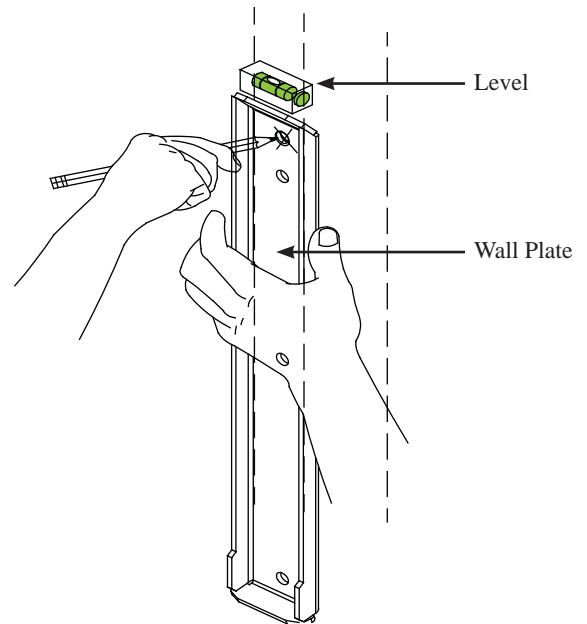
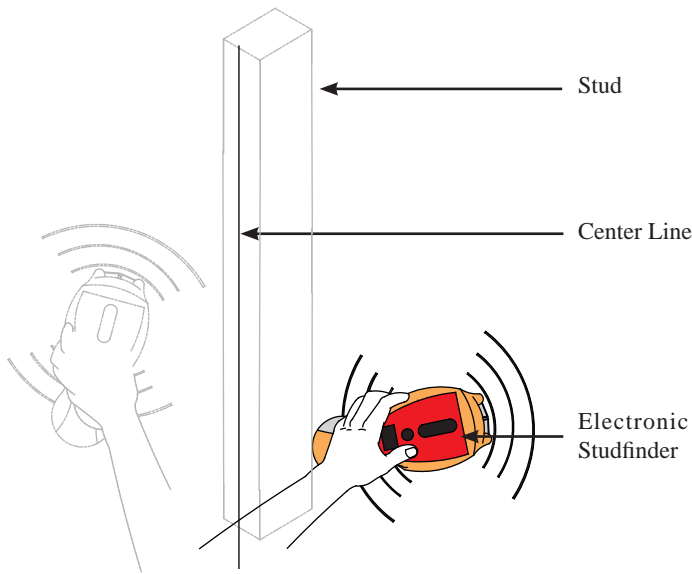
M8 x 16mm (Qty 6)

If your unit requires alternative mounting hardware, use commercially available hardware or contact Premier Mounts (800) 368-9700.



Wood Stud Installation

NOTE Before proceeding, remove the wall plate from the cover plate.

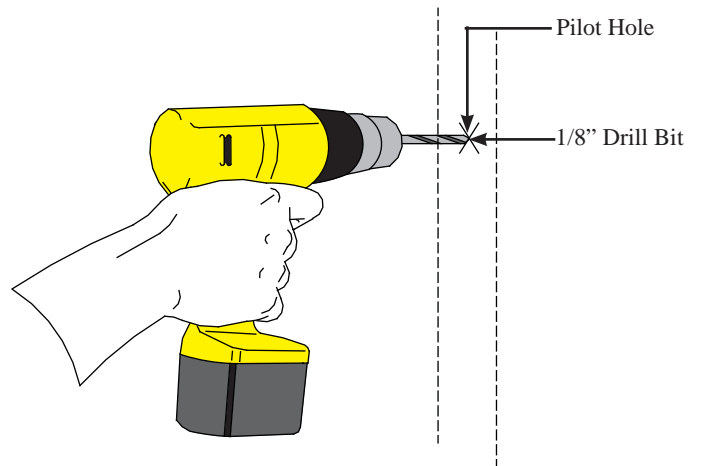
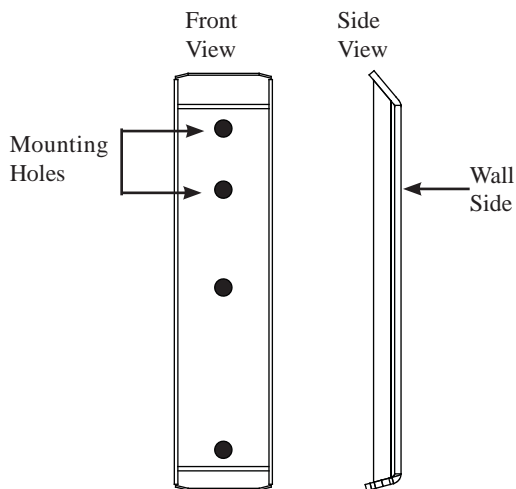


Step 1. Determine the mount's location on the wall.

Step 2. Use a stud finder to locate the nearest wall stud closest to your desired location.

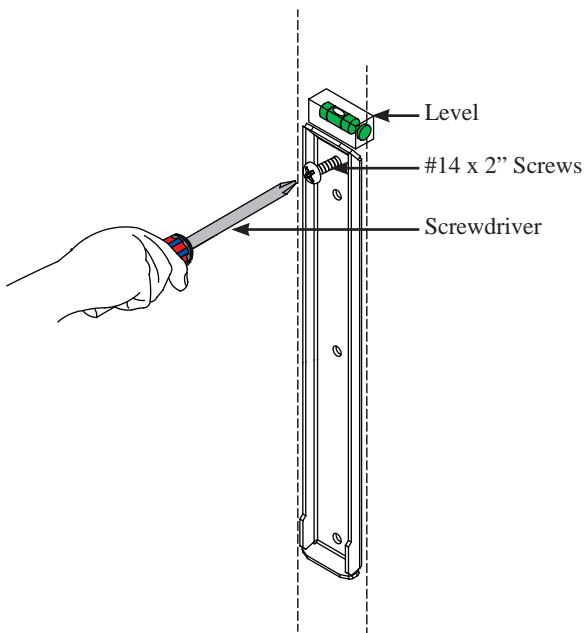
Step 3. Once the center of the stud has been located and the wall plate is level, use a pencil and mark the mounting hole locations.

Positioning the Wall Plate



NOTE The end of the wall plate with the two closely spaced holes should be pointing up when mounting the wall plate. The flat side of the wall plate will mount flush to the wall.

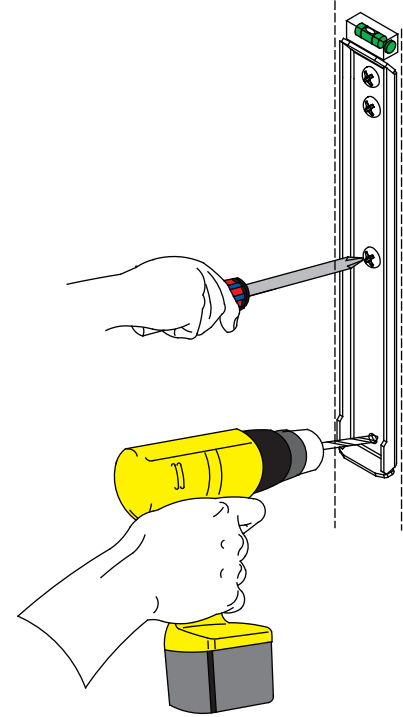
Step 4. Using a 1/8" drill bit and drill, pre-drill the pilot holes where the first mark was made.



Step 5. Insert one (1) #14 x 2" screw into the pre-drilled mounting hole.

Step 6. Tighten the top screw.

Step 7. Re-level the mount and make any adjustments at this time.



Step 8. Pre-drill the remaining three mounting holes.

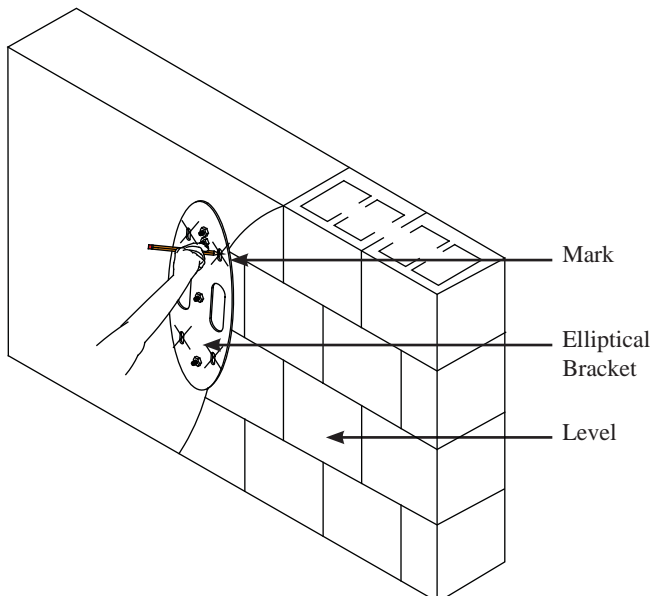
Step 9. Insert and tighten the remaining three (3) #14 x 2" screws. Do not over-tighten the screws.

Concrete Surface Installation



NOTE

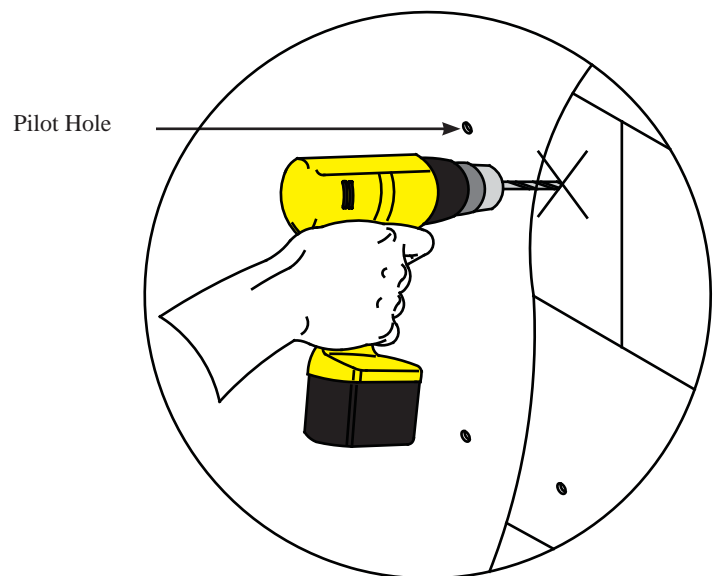
Please follow these installation steps for the concrete wedge anchors and the plastic wall anchors.



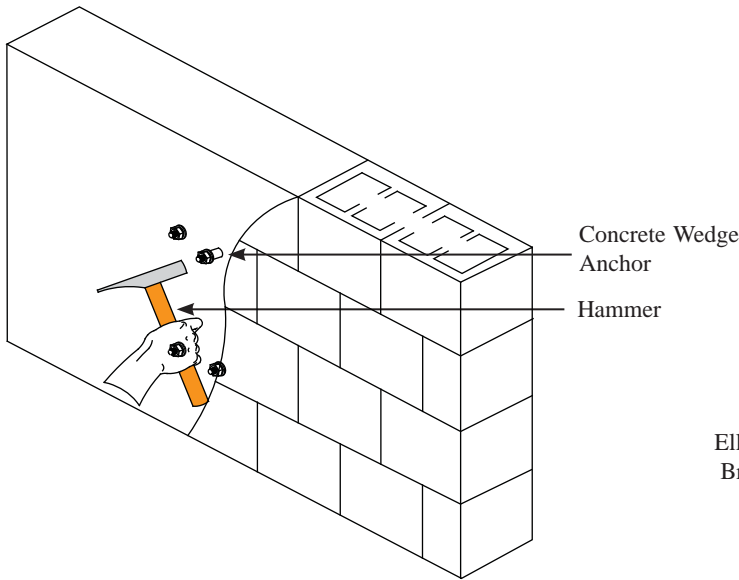
NOTE

Level the elliptical bracket before proceeding.

Step 1. After leveling the elliptical bracket mark all four (4) mounting hole locations.

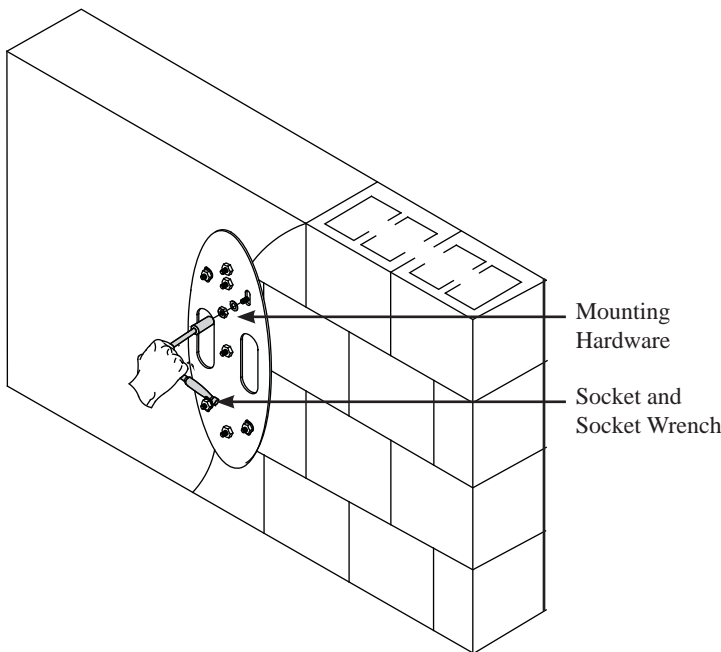


Step 2. Drill four (4) 5/16" pilot holes using a drill and a (commercially available) 5/16" concrete drill bit.



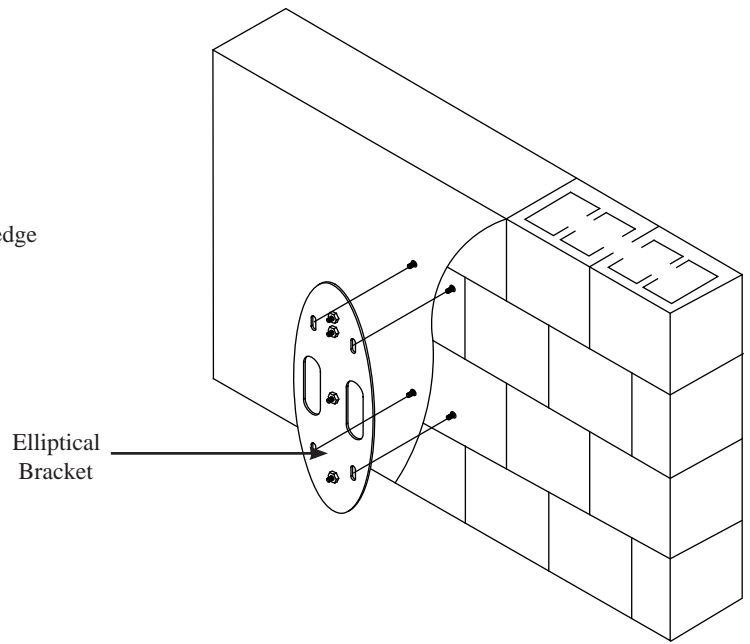
Step 3. Once the holes have been drilled, place a wedge anchor or plastic anchor into each hole and gently tap into place.

NOTE Make sure the mounting surface area is smooth. For wedge anchor installation, verify that the threaded shafts of the wedge anchors are protruding from the wall surface.



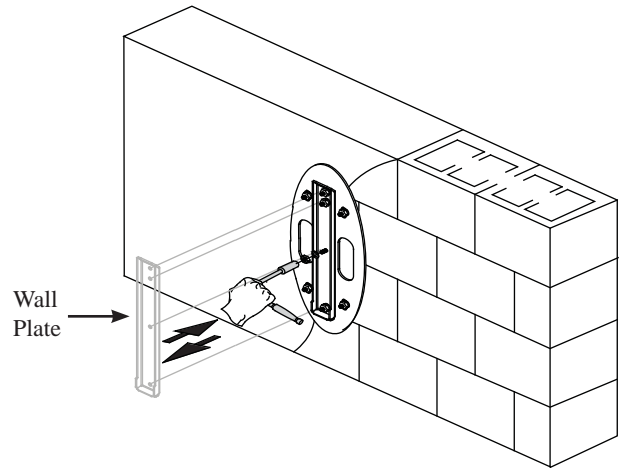
Step 6. Once the elliptical bracket is resting firmly against the wall, attach the wedge anchor hardware and tighten using a socket wrench.

Step 7. Remove the pre-attached mounting hardware that is on the elliptical bracket.



NOTE If you are using the supplied plastic anchors, please skip to Step 7.

Step 4. Remove the nut and washer from the wedge anchor.
Step 5. Place the elliptical bracket over the wedge anchors and line up the mounting holes to the threaded shafts that are protruding from the wall.



Step 8. If you are using wedge anchors: Place wall plate onto the elliptical plate then re-attach and tighten the mounting hardware using a socket wrench. Do not over-tighten the mounting hardware.

If you are using plastic anchors: Place the elliptical bracket against the wall and align the holes with the anchors. Insert and tighten four (4) #14 x 2" screws. Do not over-tighten the screws.

Place wall plate onto the elliptical plate then re-attach and tighten the mounting hardware using a socket wrench.

Do not over-tighten the mounting hardware.



Determining the Mounting Hardware

- Step 1.** Insert the thread depth indicator (supplied) through the thread inserts found on the back of the flat panel.
- Step 2.** Using a pencil, mark the depth of the thread insert on the thread depth indicator (Figure 2).
- Step 3.** Compare and verify the depth of the remaining thread inserts.
- Step 4.** Locate the correct diameter screw for the thread insert.
- Step 5.** Compare your thread depth indicator marking to the screw length.



NOTE

If your selected screw is longer than the marking on the thread depth indicator, do not use this screw. The screw length must not bypass the marking. If so, select another screw size (Figure 2 and 3) until you find the screw the comes closest to your mark without going past the marking.



When using the universal spacers in the installation, make sure to account for the appropriate spacing depth when measuring with the thread depth indicator. Using the universal spacers will change the overall length of the hardware used.

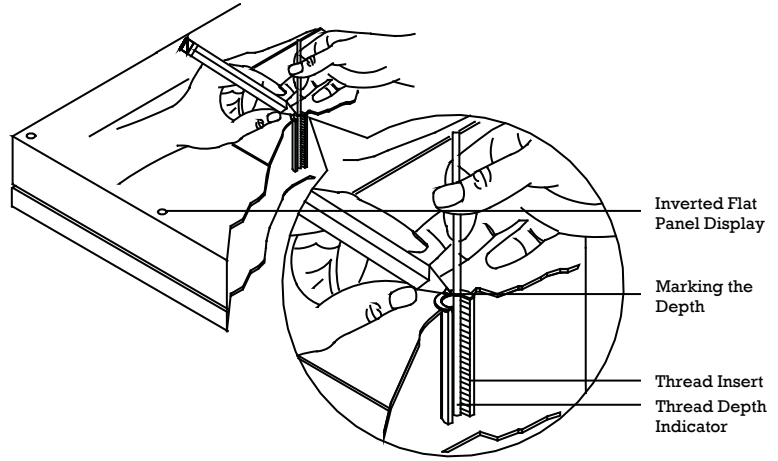


Figure 1

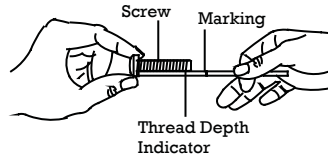


Figure 2

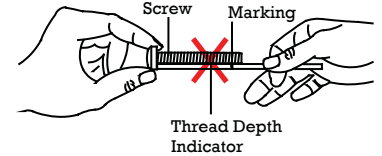


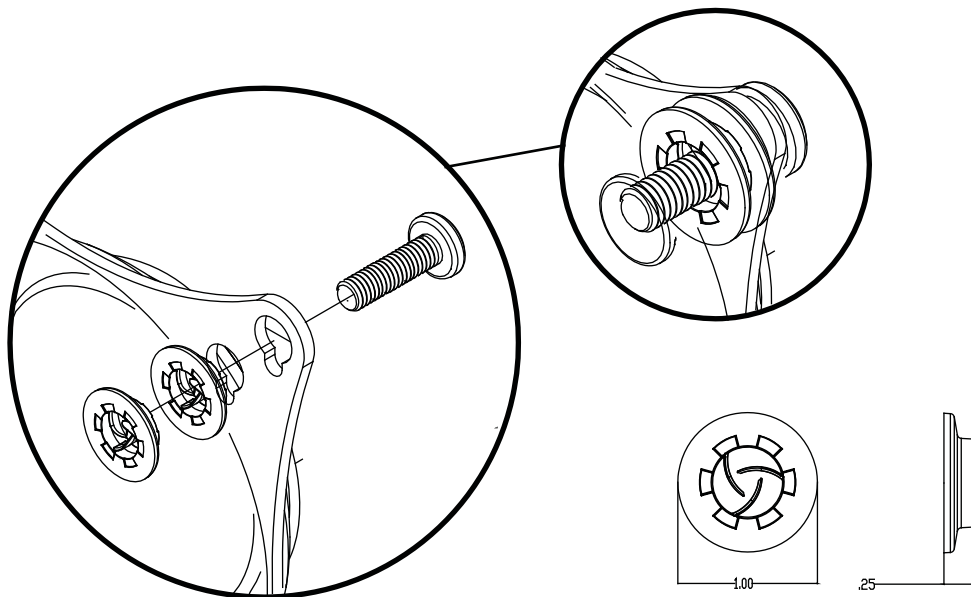
Figure 3

Universal Spacers Installation (optional)



NOTE

Use the universal spacers to compensate for any indentations or recessed mounting points, if needed.



The universal spacer may be stacked five (5) high, for a total stacking height of 1-1/4". The universal spacers must be stacked in the direction shown above. The universal spacers must be placed between the mounting bracket and the flat panel.

The universal spacer will fit M4, M5, M6 and M8 screws sizes.



Attaching the Flat Panel (75mm/100mm Mounting Points)



NOTE If your flat panel comes with 75/100 mounting points on the back (see illustration to the right), the adapter plate will not be used.



NOTE These installation steps should be performed by two qualified individuals.

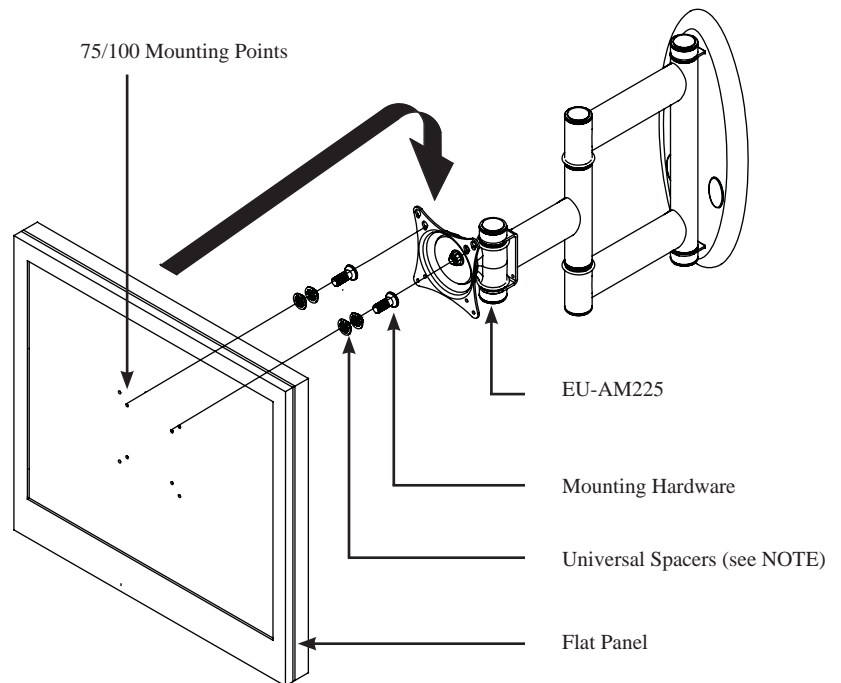


NOTE Use the universal spacers to compensate for any indentations or recessed mounting points, if needed.



NOTE It is recommended that the flat panel rest on a soft and flat surface while the mount is attached.

Step 1. Fasten, to 1/2 the depth of the screws, two (2) M4 x 10mm screws to the top two mounting points on the flat panel. Do not completely tighten these screws at this time.



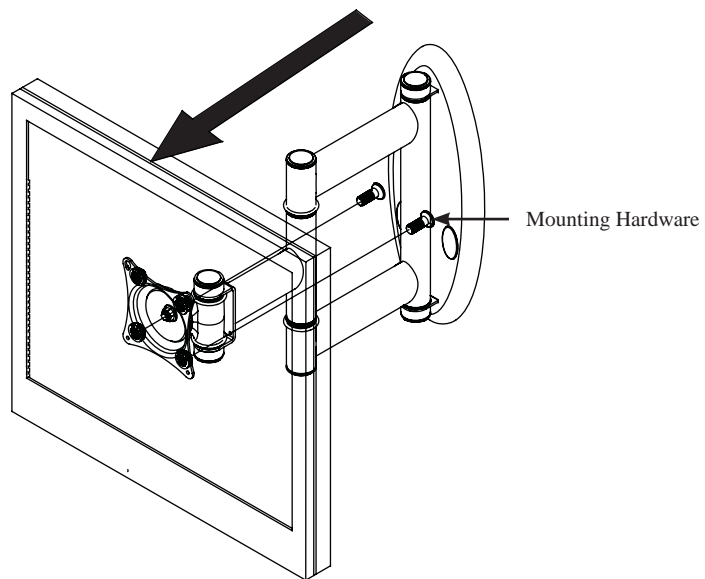
Step 2. Insert the head of the screws through the keyhole slots on the cover plate.

Step 3. Insert and tighten the bottom two (2) M4 x 10 Phillip screws to secure the flat panel to the mount.

Step 4. Use a Phillips tip screwdriver to tighten all mounting hardware.

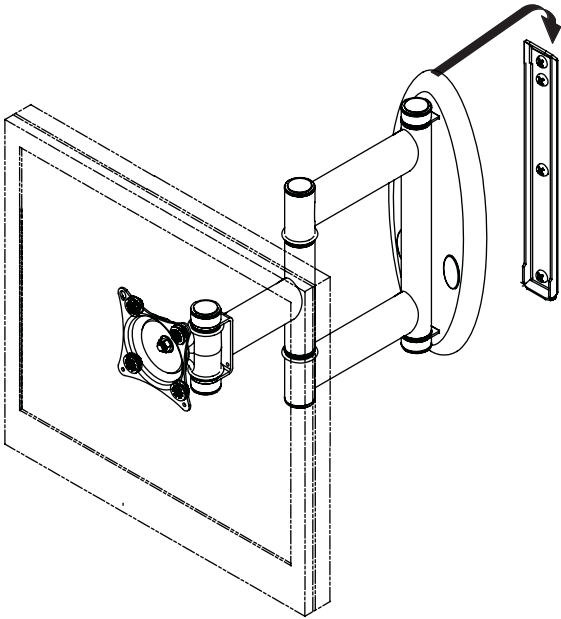


Do not over-tighten the mounting screws.

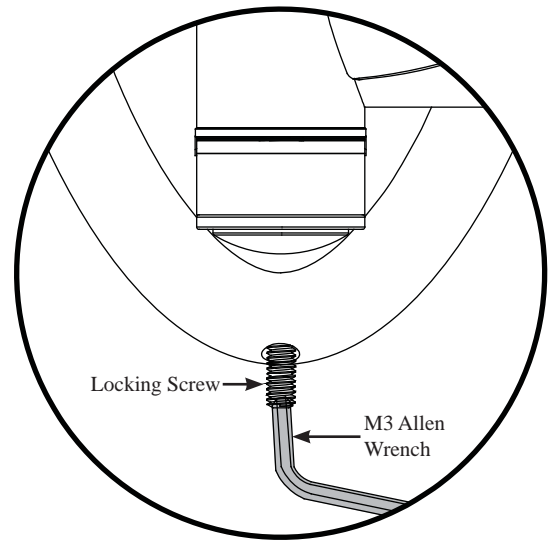




EU-AM225 Installation



- Step 1.** The cover plate of the EU-AM225 must be mounted to the wall plate that is attached to the wall.
- Step 2.** The wall plate receptacle must be placed over the top of the wall plate, so that the entire mount “hangs” on the wall plate.



- Step 3.** Use the M3 Allen wrench (supplied) to tighten the locking screw that is located on the bottom of the mount base.

This locking screw will prevent the mount and flat panel from being lifted off of the wall plate.

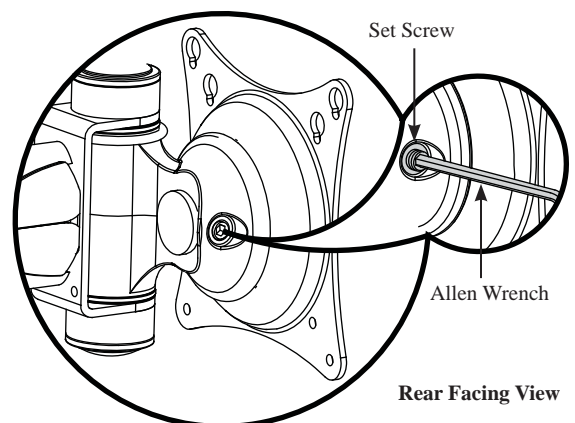


Failure to fully tighten the locking screw may result in possible damage to your flat panel.

Tilt/Pivot Adjustment

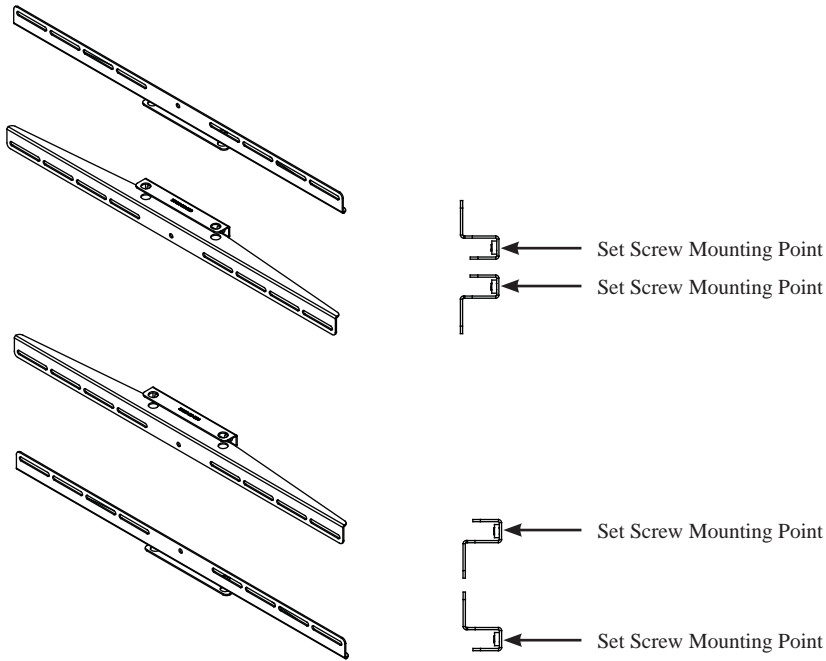
The tilt/pivot adjustment screw comes pre-installed. The tilt/pivot adjustment screw allows you to lock in the tilt/pivot viewing angle. The final viewing angle will be determined once the flat panel has been mounted on the wall.

- Step 1.** Once the viewing angle has been determined, use the 5/32” Allen wrench to adjust the tilt/pivot adjustment screw.



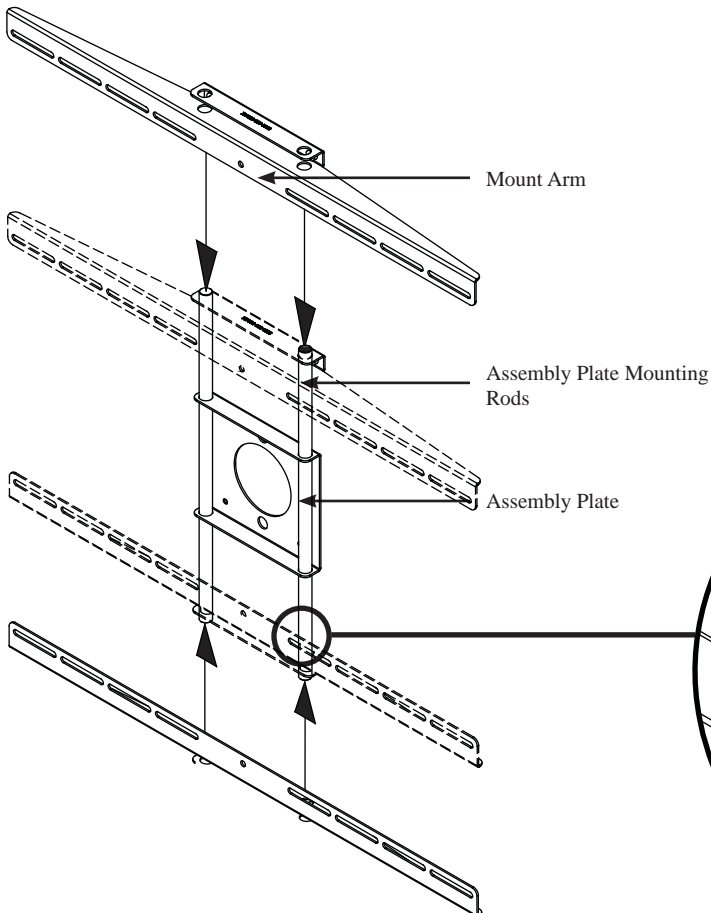
Assembling the Adapter Plate

In the event that the mounting points on your flat panel exceed the standard 75/100 mounting pattern on the EU-AM225, the adapter plate will have to be used. The adapter plate will accommodate mounting patterns of 600mm x 400mm.



NOTE

The illustration to the left shows the two placement positions for the mounting arms. Either configuration is acceptable and is dependant upon your flat panel's mounting hole pattern



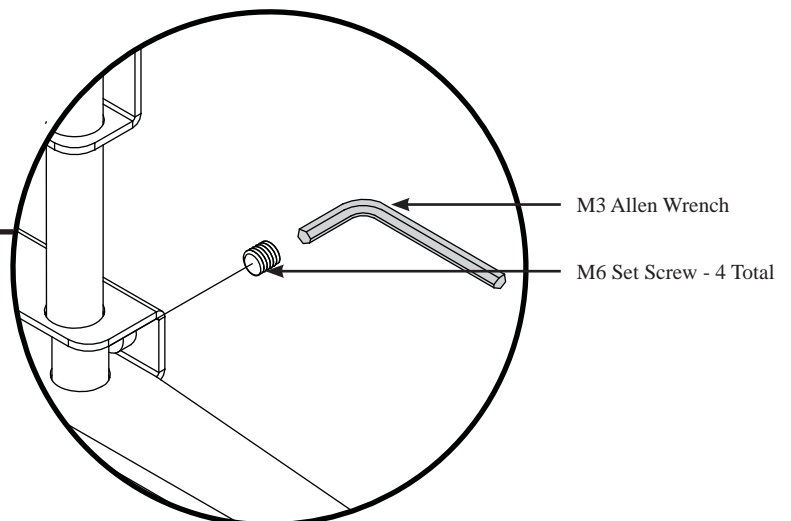
Step 1. Slide each mount arm onto the assembly plate mounting rods.

Step 2. Insert four (4) M6 set screws into the mount arms (two per arm). Use the M3 Allen wrench (supplied) to tighten the set screws.



NOTE

These screws should remain loose until the adapter plate is attached to the display.





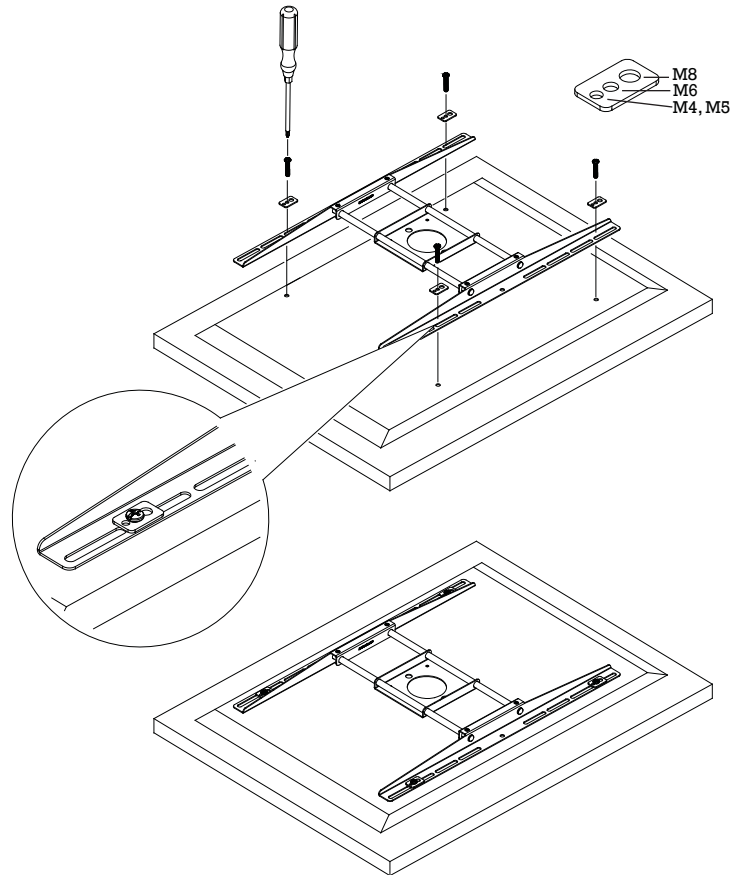
Universal Washer Installation

The universal washer will fit M4, M5 M6 and M8 hole patterns that your flat panel requires.

EXAMPLE: If your flat panel uses M8 screws, use the M8 mounting points.




Pre-install the mounting screws, spacers and washers. Once mounted, push down to eliminate movement from the bracket. Then proceed to tighten the rest of the hardware. Repeat this process for the installation of the remaining mounting bracket.






Attaching the Adapter Plate to the Flat Panel

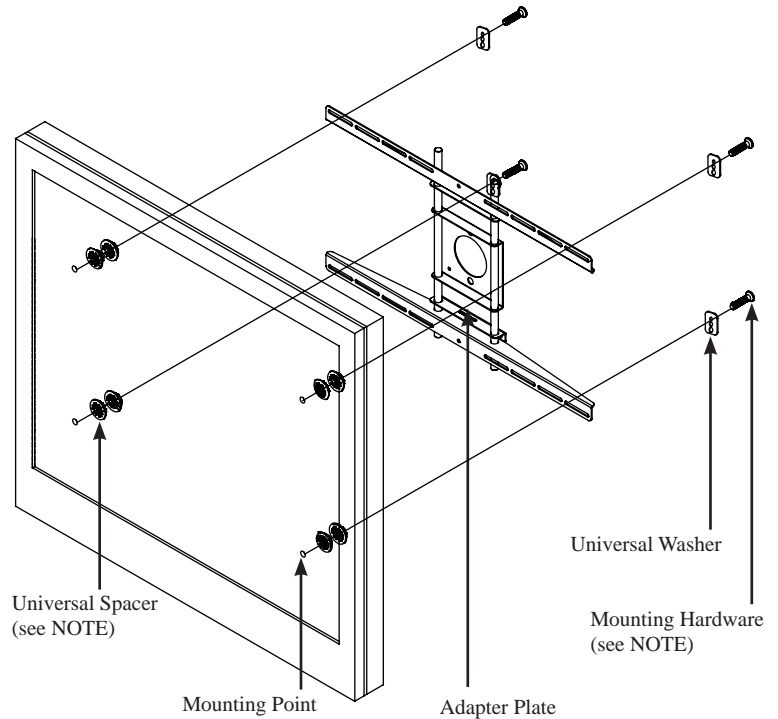
- Step 1.** Place the flat panel on a soft and flat surface.
- Step 2.** Locate the mounting holes that are on the back of the flat panel.
- Step 3.** Place the mounting arms over the mounting points.

 **NOTE** If your flat panel has uneven mounting points, or recessed mounting points, please use the provided universal spacers (please see page 8).


 **NOTE** Please see page 8 on how to determine which mounting hardware is most appropriate for your flat panel.


- Step 4.** Insert and tighten the mounting hardware using a Phillips head screwdriver.

- Step 5.** At this time, use an M3 Allen wrench and tighten the M6 set screws that are located on the mounting arms (four total).

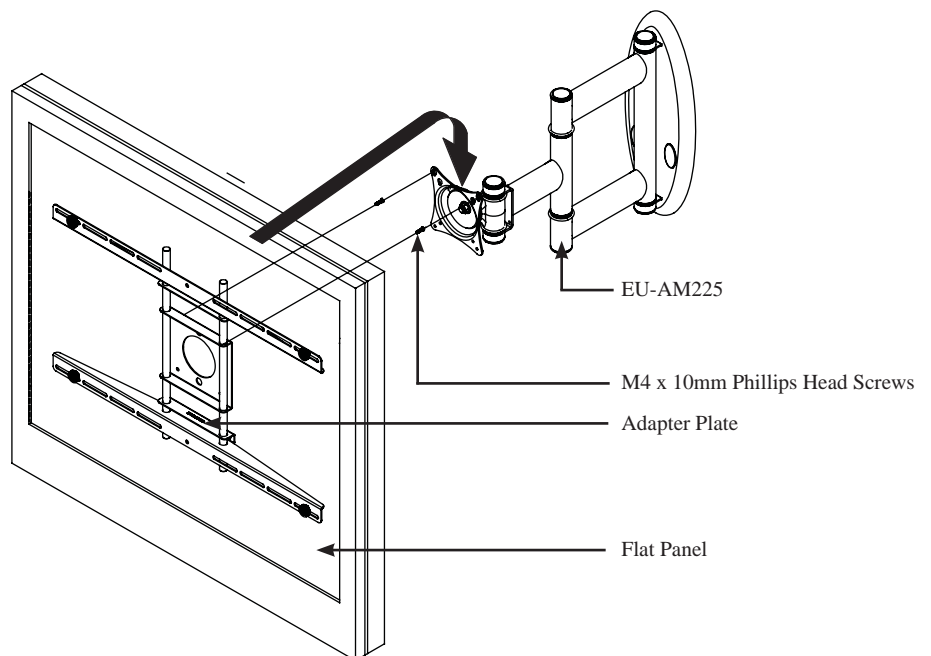


Attaching the Flat Panel with the Adapter Plate

 **NOTE** Use the universal spacers to compensate for any indentations or recessed mounting points, if needed.

 **NOTE** It is recommended that the flat panel rest on a soft and flat surface while assembling the mount.

- Step 1.** Fasten, to 1/2 the depth of the screws, two (2) M4 x 10mm screws to the top two mounting points on the adapter plate. Do not completely tighten these screws at this time.




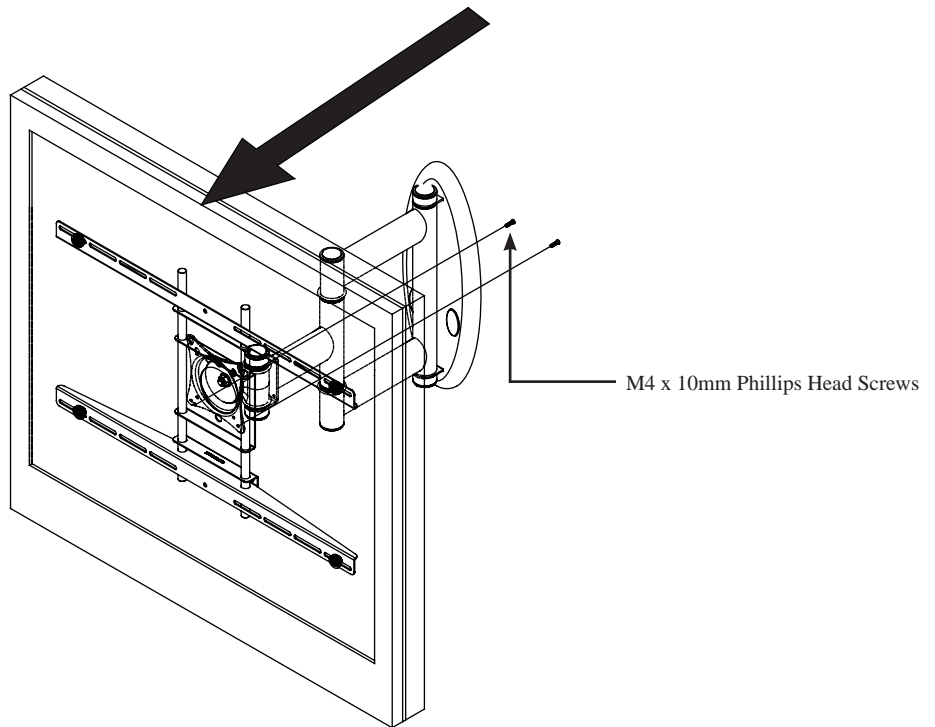


Step 2. Insert the head of the screws through the keyhole slots on the adapter plate.

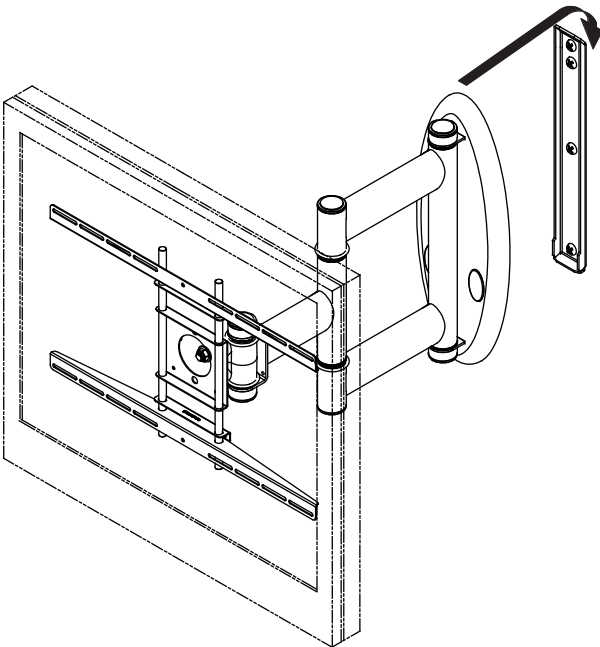
Step 3. Insert and tighten the bottom two (2) M4 x 10 Phillip screws to secure the adapter plate to the mount.

Step 4. Use a Phillips tip screwdriver to tighten all mounting hardware.

 Do not over-tighten the mounting screws.

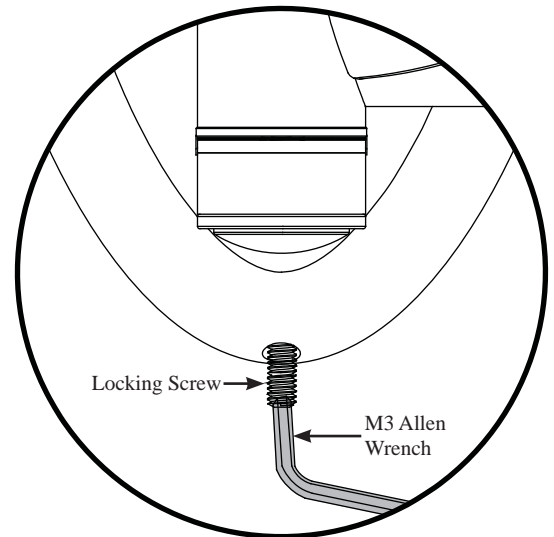


EU-AM225 Installation with Adapter Plate




Step 1. The cover plate of the EU-AM225 must be mounted to the wall plate that is attached to the wall.

Step 2. The wall plate receptacle must be placed over the top of the wall plate, so that the entire mount “hangs” on the wall plate.



Step 3. Use the M3 Allen wrench (supplied) to tighten the locking screw that is located on the bottom of the mount base.

This locking screw will prevent the mount and flat panel from being lifted off of the wall plate.

 Failure to fully tighten the locking screw may result in possible damage to your flat panel.
WARNING



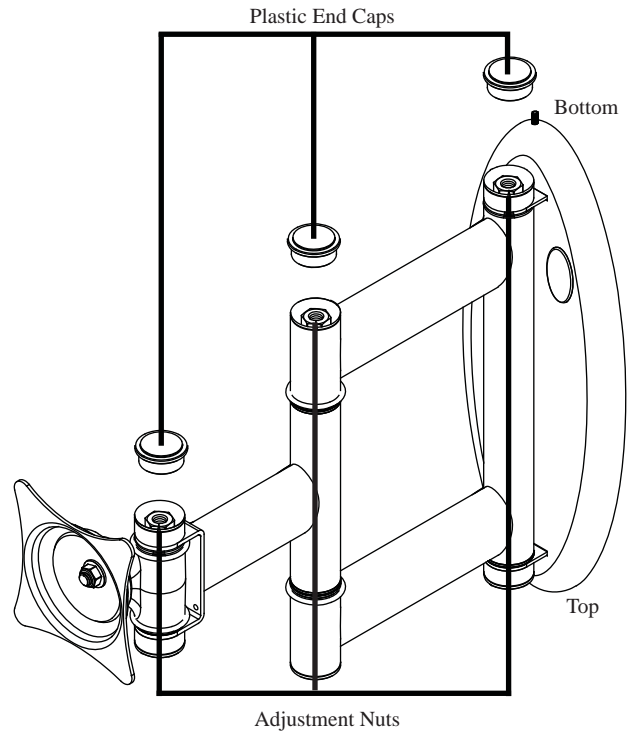
Tension Adjustment



NOTE The mount shown in this illustration is upside down to demonstrate how to access the adjustment nuts.

This unit comes pre-tensioned at the factory. To adjust the swingout arm, perform the following steps:

- Step 1.** Remove the plastic end caps.
- Step 2.** Take a socket (supplied) and ratchet and tighten/loosen the nut to the desired tension.
- Step 3.** Replace the plastic end caps.



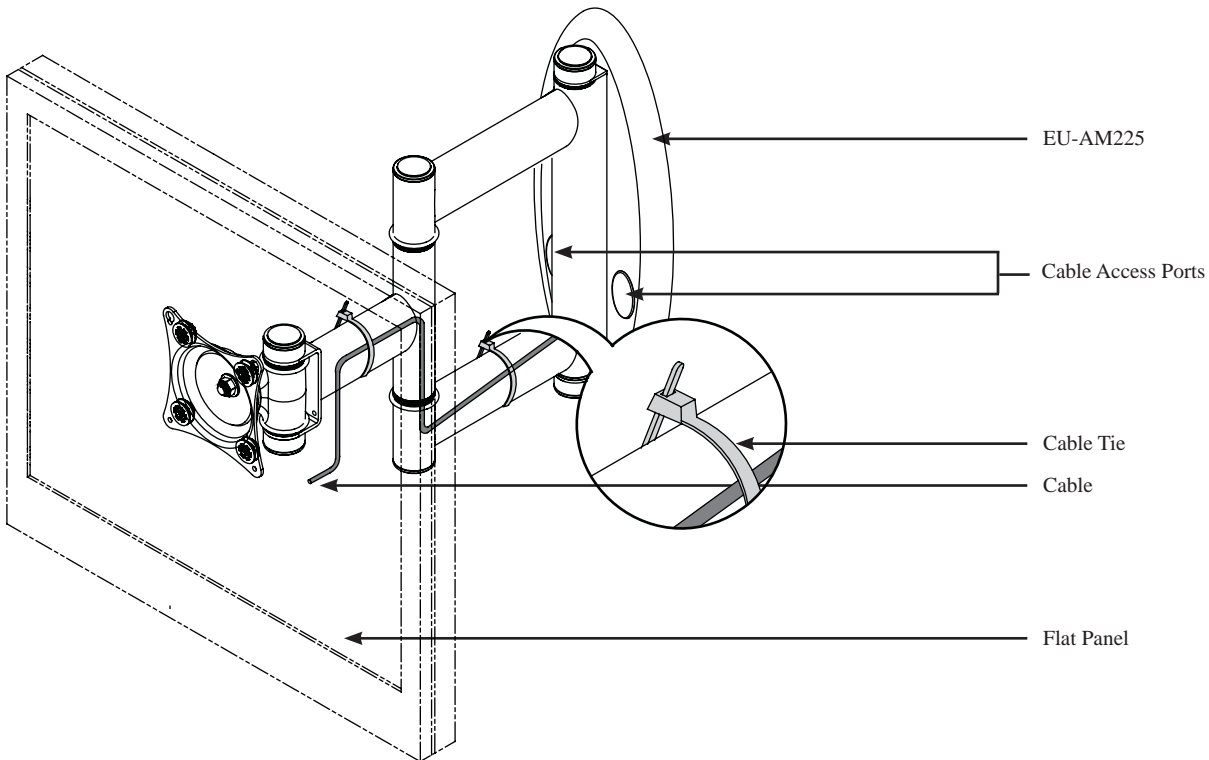
Cable Management



NOTE Before routing the cables and attaching the tie wraps, the EU-AM225 must be fully extended away from the wall.



NOTE The cable access ports may be accessed by removing the plastic caps. The cable access ports allow you to route your cables through the base of the EU-AM225 and into the wall.

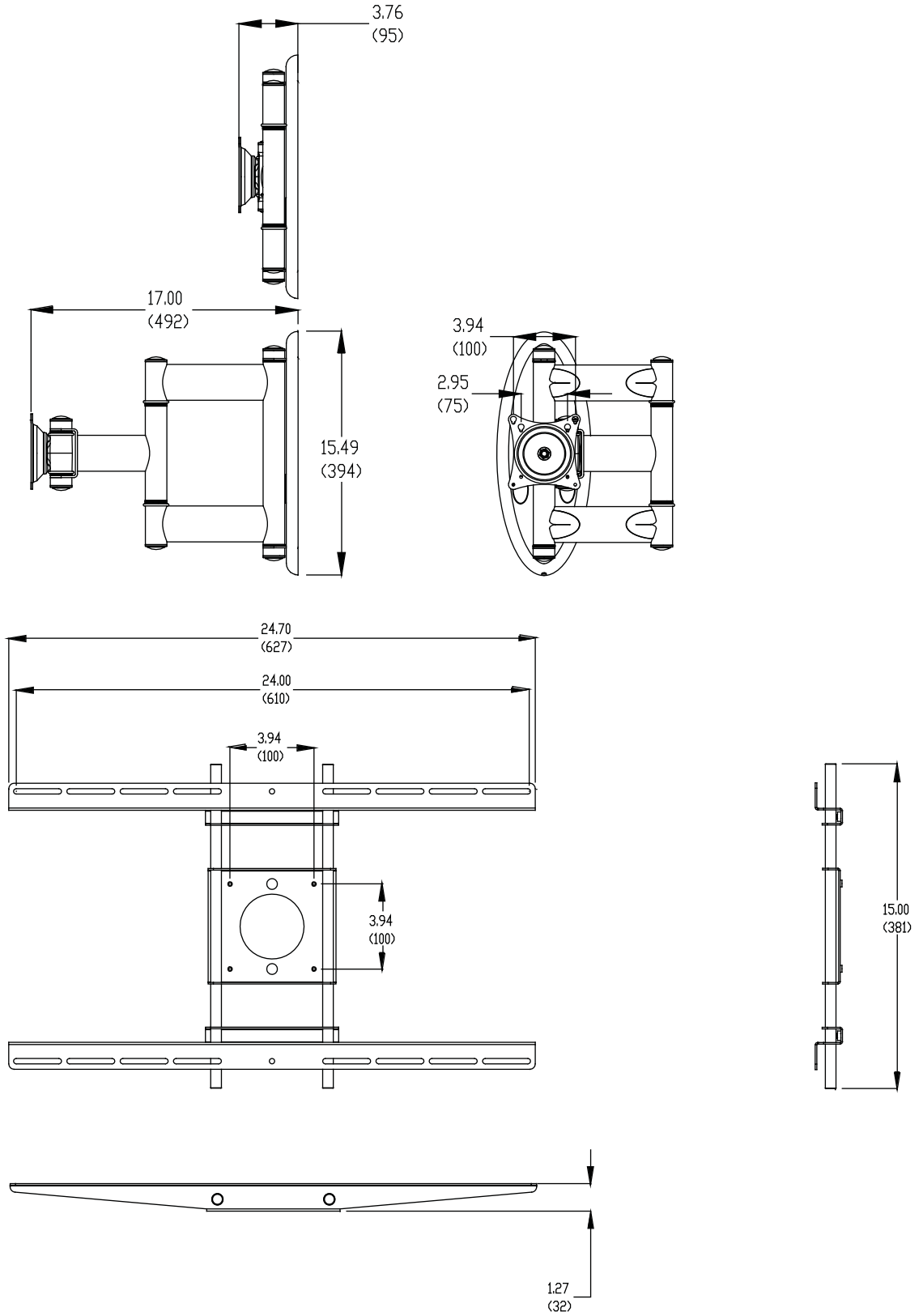


- Step 1.** Route all cables along the EU-AM225
- Step 2.** Use a cable tie to attach the cable to the EU-AM225 (as shown above).
- Step 3.** Cut off excess cable tie.



Technical Specification

All measurements are in inches(mm).





Warranty

PREMIER MOUNTS LIMITED LIFETIME WARRANTY

What and Who is Covered by this Limited Warranty and for How Long

Premier Mounts warrants this product to be free from defects in material and workmanship for the lifetime of the original owner of this product. The limited warranty is valid only for the original purchaser of the product.

What Premier Mounts Will Do

At the sole option of Premier Mounts, Premier Mounts will repair or replace any product or product part that is defective. If Premier Mounts chooses to replace a defective product or part, a replacement product or part will be shipped to you at no charge, but you must pay any labor costs.

What is Not Covered; Limitations

PREMIER MOUNTS DISCLAIMS ANY LIABILITY FOR DAMAGE TO MOUNTS, ADAPTERS, DISPLAYS, PROJECTORS, OTHER PROPERTY, OR PERSONAL INJURY RESULTING, IN WHOLE OR IN PART, FROM IMPROPER INSTALLATION, MODIFICATION, USE OR MISUSE OF ITS PRODUCTS.

PREMIER MOUNTS DISCLAIMS ALL OTHER WARRANTIES, EXPRESS OR IMPLIED, INCLUDING WARRANTIES OF MERCHANTABILITY AND FITNESS FOR A PARTICULAR PURPOSE. PREMIER MOUNTS IS NOT RESPONSIBLE FOR INCIDENTAL OR CONSEQUENTIAL DAMAGES, INCLUDING BUT NOT LIMITED TO, INABILITY TO USE ITS PRODUCTS OR LABOR COSTS FOR REMOVING AND REPLACING DEFECTIVE PRODUCTS OR PARTS. SOME STATES DO NOT ALLOW THE EXCLUSION OR LIMITATION OF INCIDENTAL OR CONSEQUENTIAL DAMAGES, SO THE ABOVE LIMITATION OR EXCLUSION MAY NOT APPLY TO YOU.

What Customers Must Do for Limited Warranty Service

If you discover a problem that you think may be covered by the warranty you **MUST REPORT** it in writing to the address below within thirty (30) days. Proof of purchase (an original sales receipt) from the original consumer purchaser must accompany all warranty claims. Warranty claims must also include a description of the problem, the purchaser's name, address, and telephone number. General inquiries can be addressed to Premier Mounts Customer Service at 1-800-368-9700. Warranty claims will not be accepted over the phone or by fax.

Premier Mounts
Attn: Warranty Claim
3130 East Miraloma Ave.
Anaheim, CA 92806

How State Law Applies

THIS WARRANTY GIVES YOU SPECIFIC LEGAL RIGHTS, AND YOU MAY ALSO HAVE OTHER RIGHTS WHICH VARY FROM STATE TO STATE.