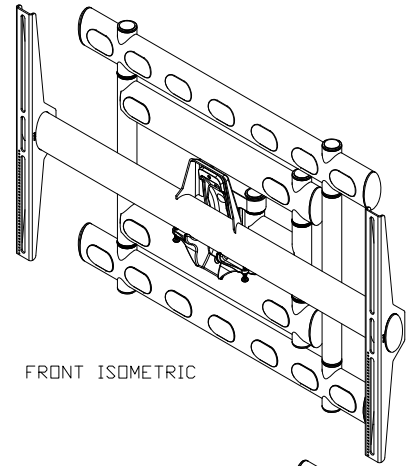
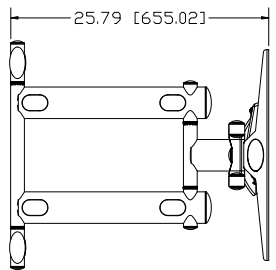
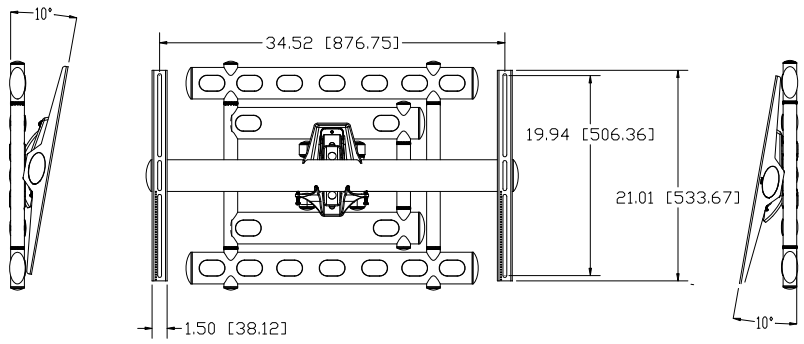
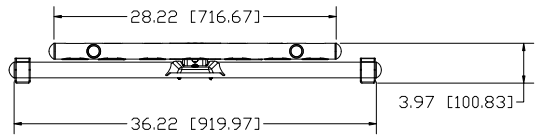


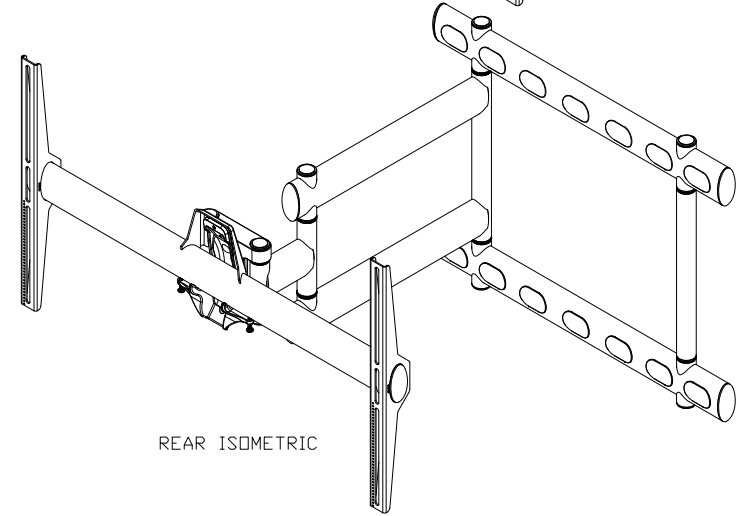
8 7 6 5 4 3 2 1

THE INFORMATION CONTAINED IN THIS DRAWING IS THE SOLE PROPERTY OF PREMIER MOUNT DIVISION OF PMPI > ANY REPRODUCTION IN PART OR WHOLE WITHOUT THE WRITTEN PERMISSION OF PREMIER MOUNT DIVISION OF PMPI > IS PROHIBITED.

REVISIONS			
REV.	DESCRIPTION	DATE	APPROVED



FRONT ISOMETRIC



REAR ISOMETRIC

Architectural Specifications
 The swingout arm will be a Premier Mounts AM3, or equivalent, and can be used to mount plasma, or LCD, displays from a variety of wall structures. It will mount to wood joists, or concrete, and will feature laser cut cable-access ports in the lower and upper mounting rails. It will be made of cold-rolled elliptical steel tubing and will support up to 160lbs. It will be UL listed and approved. Assembly and installation will be performed according to the instructions provided by the manufacturer.

Surface Types - Wood or Concrete
 Weight Capacity - 160lbs.
 Dimensions - 36.22" (W) x 21.01" (H)
 Adjustability - Up to 25.79" from the wall; Tilt Capability of ± 10°
 Attachment - Log Bolts and Concrete Anchors

8 7 6 5 4 3 2 1