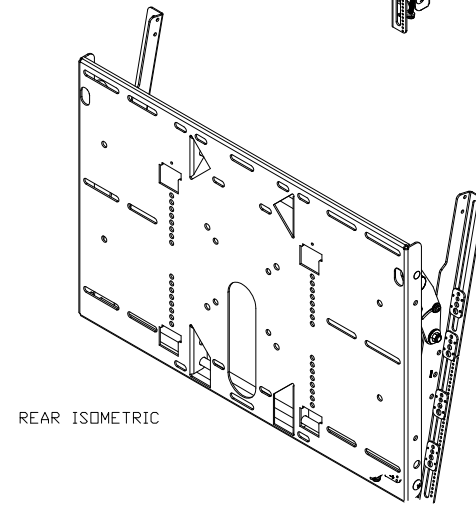
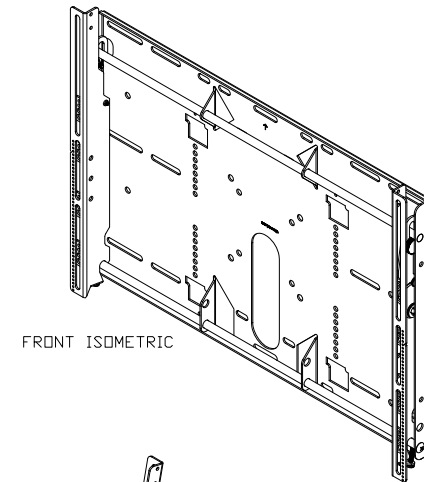
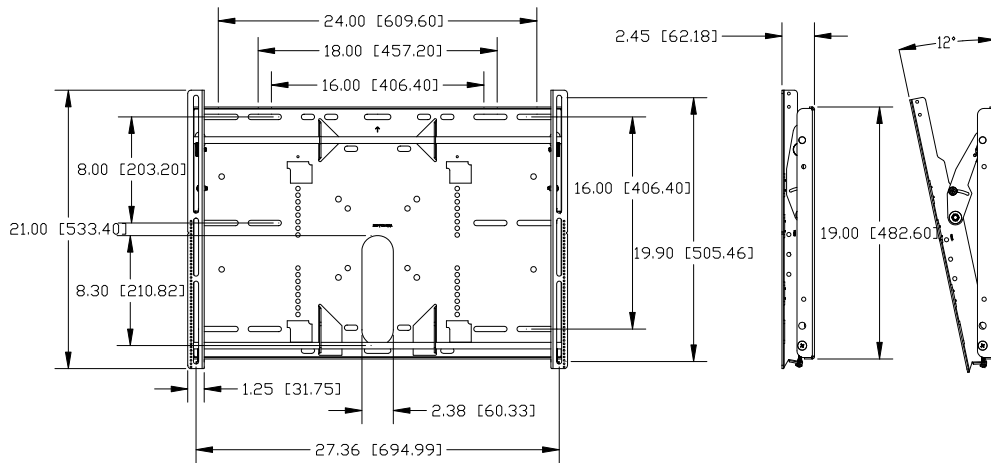
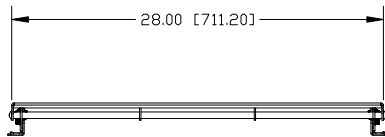


8 7 6 5 4 3 2 1  
 THE INFORMATION CONTAINED IN THIS DRAWING IS THE SOLE PROPERTY OF  
 PREMIER MOUNT DIVISION OF PMPI > ANY REPRODUCTION IN PART OR WHOLE WITHOUT  
 THE WRITTEN PERMISSION OF PREMIER MOUNT DIVISION OF PMPI > IS PROHIBITED.

REVISIONS			
REV.	DESCRIPTION	DATE	APPROVED



Architectural Specifications

The mount will be a Premier Mounts CTM-MS2, or equivalent, and can be used to mount plasma/LCD displays from a variety of wall structures. It will mount to wood joists or concrete. It will be made of cold-rolled steel and will support up to 160lbs. It will also feature built-in lateral shift and locking capability. The display will be supported using dedicated griplates and washers. It will be UL listed and approved. Assembly and installation will be performed according to the instructions provided by the manufacturer.

- Surface Types - Wood or Concrete
- Weight Capacity - 160lbs.
- Dimensions - 28.00" (W) x 19.000" (H) x 2.440" (D); Brackets - 21.00" (H)
- Attachment - Lag Bolts and Concrete Anchors