

INW-AM200 Small In-Wall Box

The INW-AM200 in-wall box is designed to house the AM2 Universal Swingout Arm and PTM Pivot/Tilt Mount for 17"-40" LCDs.

The INW-AM200 safely supports the mounting arm and comes with integrated PEM-Nut hardware in knockouts for power and signal cables. Installation kit includes wood shims for gaps. No mount assembly required.

Features

- Recess mount for AM2 swingout arm and PTM pivot/tilt mount
- 14" width fits snug within standard 16" studs
- Integrated PEM-Nut hardware
- Installation kit includes wood shims for gaps
- Cable routing along frame and through knockouts
- Frame allows for a finished look



PTM and AM2 mount to box.
No mount assembly required.



Use with a the AM2 Swingout
Arm for greater flexibility.

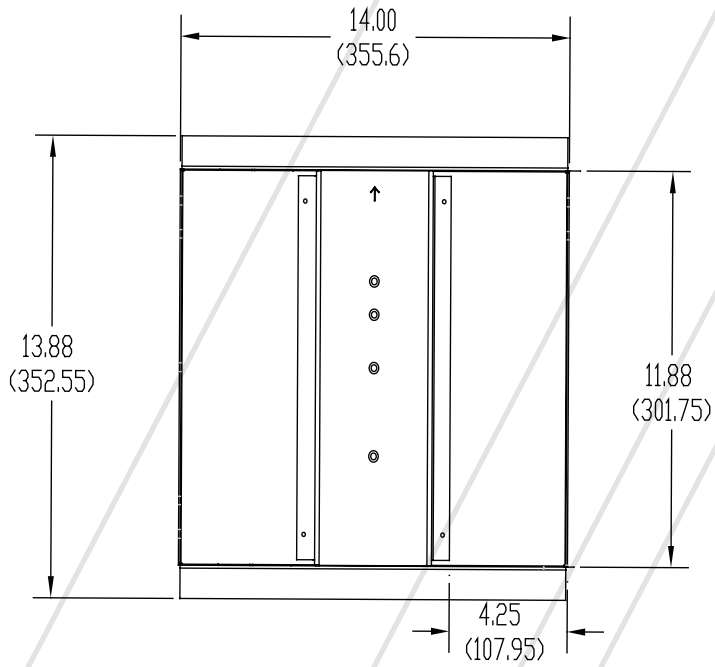
Model: INW-AM200
Suggested List: \$199.99

Color: White

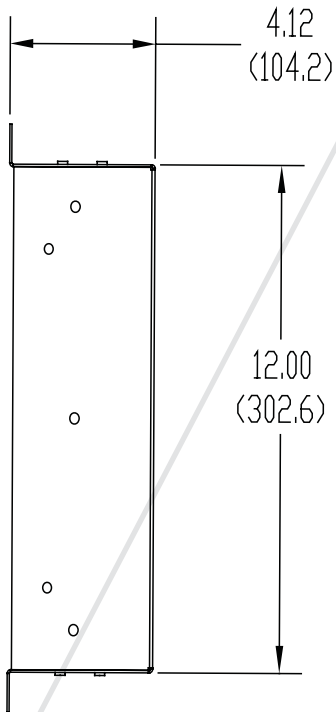
Fits: 17"-40" Displays

Dimensions: 4"x14"x14"

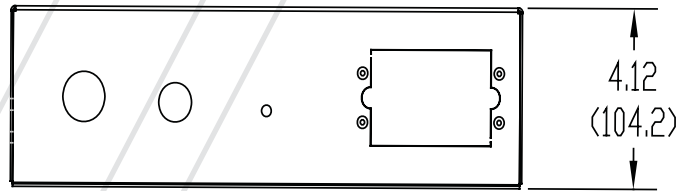
Max Load: 50 lbs



INW-AM200 (front view)



INW-AM200 (side view)



INW-AM200 (top view)

*Measurements in inches (mm)

 **PREMIER MOUNTS™**
 The original holding company
www.mounts.com • 800.368.9700

North America
 800.368.9700
 800.832.4888 (Fax)

Europe
 44.24.76.614700
 44.24.76.614710 (Fax)

Australia
 03.9586.6330
 03.9580.9690 (Fax)

Other Locations
 001.714.632.7100
 001.714.632.1044 (Fax)