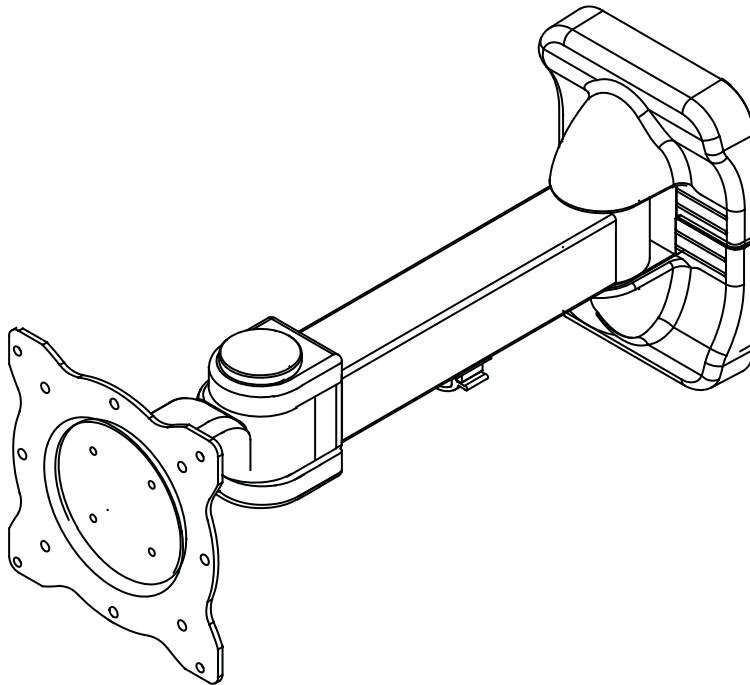


INSTALLATION INSTRUCTIONS



LPSA1530

Universal Swingout Arm 15" to 30" Flat Panels

NORTH AMERICA

3130 East Miraloma Avenue
Anaheim, CA 92806 USA
USA and Canada –
Phone: 800-368-9700
Fax: 800-832-4888

EUROPE

Swallow House,
Shilton Industrial Estate,
Shilton, Coventry, England CV79JY
Phone: +44 (0) 2476 614700
Fax: +44 (0) 2476 614710



Table of Contents

Warning Statements 2

Parts List..... 3

Installation Tools..... 3

Wood Stud Installation..... 4

Concrete Surface Installation..... 5

Determining the Mounting Hardware 6

Universal Spacer Installation 6

VESA Adapter Plate Installation 7

Attaching the Flat Panel 8

Wall Plate Cover Installation 8

Tension Adjustment..... 9

Adjusting the Flat Panel Mount 9

Cable Management 10

Technical Specifications..... 11

VESA Adapter Plate Pattern 11

Warranty..... 12

Warning Statements



PRIOR TO THE INSTALLATION OF THIS PRODUCT, THE INSTALLATION INSTRUCTIONS SHOULD BE READ AND COMPLETELY UNDERSTOOD. THE INSTALLATION INSTRUCTIONS MUST BE READ TO PREVENT PERSONAL INJURY AND PROPERTY DAMAGE. KEEP THESE INSTALLATION INSTRUCTIONS IN AN EASILY ACCESSIBLE LOCATION FOR FUTURE REFERENCE.



PREMIER MOUNTS DOES NOT WARRANT AGAINST DAMAGE CAUSED BY THE USE OF ANY PREMIER MOUNTS PRODUCT FOR PURPOSES OTHER THAN THOSE FOR WHICH IT WAS DESIGNED OR DAMAGE CAUSED BY UNAUTHORIZED ATTACHMENTS OR MODIFICATIONS, AND IS NOT RESPONSIBLE FOR ANY DAMAGES, CLAIMS, DEMANDS, SUITS, ACTIONS OR CAUSES OF ACTION OF WHATEVER KIND RESULTING FROM, ARISING OUT OF OR IN ANY MANNER RELATING TO ANY SUCH USE, ATTACHMENTS OR MODIFICATIONS.



THE SURFACE MUST BE CAPABLE OF SUPPORTING AT LEAST FIVE TIMES THE WEIGHT OF THE FLAT PANEL. IF NOT, THE MOUNTING STRUCTURE MUST BE REINFORCED. THE MAXIMUM WEIGHT THAT CAN BE USED WITH THIS PRODUCT IS 50LBS. PROPER INSTALLATION PROCEDURE BY A QUALIFIED SERVICE TECHNICIAN, AS OUTLINED IN THE INSTALLATION INSTRUCTIONS, MUST BE ADHERED TO. FAILURE TO DO SO COULD RESULT IN SERIOUS PERSONAL INJURY, OR EVEN DEATH.



SAFETY MEASURES MUST BE PRACTICED AT ALL TIMES DURING THE ASSEMBLY OF THIS PRODUCT. USE PROPER SAFETY GEAR AND TOOLS FOR THE ASSEMBLY PROCEDURE TO PREVENT PERSONAL INJURY.



Indicates that the power plug is to be disconnected from the power outlet.



Contact Premier Mounts with any questions - (800) 368-9700.



Safety precautions must be taken at all times.



Warning and Caution statements.



It is recommended that a maximum of 5/8" plaster board be used when mounting to wooden studs.



Do not install on a structure that is prone to vibration, movement or chance of impact. Failure to do so could result in damage to the flat panel and/or damage to the mounting surface.



Do not install near heater, fireplace, direct sunlight, air conditioning or any other source of direct heat energy. Failure to do so may result in damage to the flat panel and could increase the risk of fire.



At least two qualified people should perform the installation procedure. Injury and/or damage can result from dropping or mishandling the flat panel.



Parts List



Congratulations on the purchase of your new Premier Mounts LPSA1530 flat panel mount. This mount is shipped with all proper installation hardware and components. Make sure that none of these parts are missing and/or damaged before beginning installation. If there are parts missing and/or damaged, please stop the installation and contact Premier Mounts (800) 368-9700.



<p>LPSA1530 (Qty 1)</p>		<p>Cover Plates (Qty 2)</p>		<p>Adapter Plate (Qty 2)</p>			
<p>M4 x 10mm Combo Head Screw (Qty 4)</p>	<p>M4 x 10mm Flat Head Screw (Qty 6)</p>	<p>M4 x 16mm Flat Head Screw (Qty 6)</p>	<p>M4 x 20mm Flat Head Screw (Qty 6)</p>	<p>M4 x 30mm Flat Head Screw (Qty 6)</p>	<p>M4 x 45mm Flat Head Screw (Qty 6)</p>	<p>M5 x 10mm Combo Head Screw (Qty 4)</p>	<p>M5 x 16mm Combo Head Screw (Qty 4)</p>
<p>M5 x 20mm Combo Head Screw (Qty 4)</p>	<p>M5 x 30mm Combo Head Screw (Qty 4)</p>	<p>M5 x 45mm Combo Head Screw (Qty 4)</p>	<p>M6 x 10mm Combo Head Screw (Qty 4)</p>	<p>M6 x 16mm Combo Head Screw (Qty 4)</p>	<p>M6 x 20mm Combo Head Screw (Qty 4)</p>	<p>M6 x 30mm Combo Head Screw (Qty 4)</p>	<p>M6 x 45mm Combo Head Screw (Qty 4)</p>
<p>M4 x 5mm Combo Screws (Qty 4)</p>	<p>M4 Flat Washers (Qty 4)</p>	<p>M5 Flat Washers (Qty 4)</p>	<p>1/4" Wedge Anchor (Qty 4)</p>	<p>#14 x 2" Screws (Qty 2)</p>	<p>Universal Spacers (Qty 30)</p>	<p>Thread Depth Indicator</p>	

If your unit requires alternative hardware, use commercially available hardware or contact Premier Mounts (800) 368-9700.

Installation Tools (not supplied)

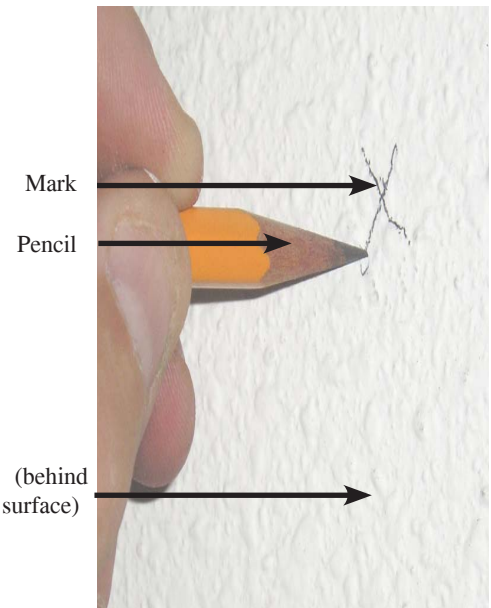
	<p>Phillips Screwdriver</p>	<p>1/8" Drill Bit</p>	<p>Electronic Stud finder</p>	<p>Drill</p>	<p>10mm Socket and Socket Wrench</p>	<p>Level</p>
--	-----------------------------	-----------------------	-------------------------------	--------------	--------------------------------------	--------------



Wood Stud Installation



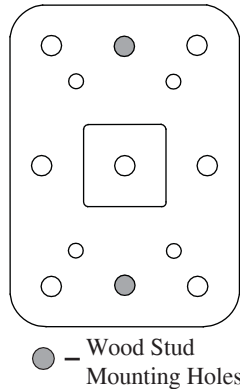
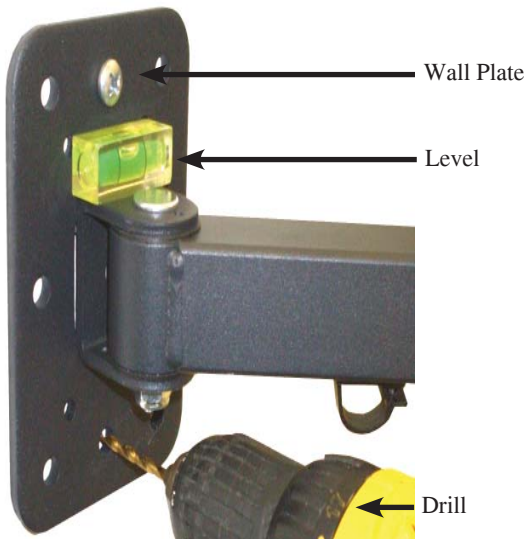
- Step 1.** Determine your mounting location.
- Step 2.** Use a stud finder to locate the nearest wall stud.



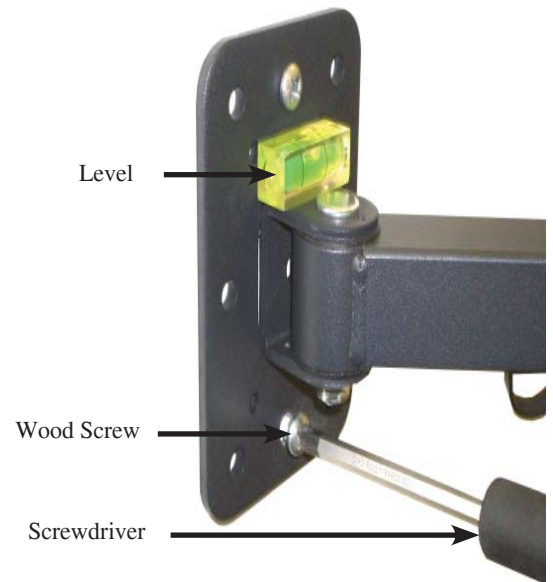
- Step 3.** Once the stud has been located, use a pencil to mark the center of the stud location.



NOTE This mark will be where the first pilot hole will be drilled. Center the wall plate on this mark.



- Step 4.** Align the center of the wall plate to the appropriate viewing height. Once the desired viewing height has been determined, proceed to the next step.
- Step 5.** Use a level to straighten the wall plate position before drilling.
- Step 6.** With the wall plate of the LPSA1530 centered on the first stud location mark, use a drill and a 1/8" drill bit to pre-drill two (2) mounting holes.



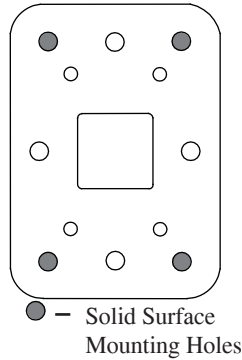
- Step 7.** Use the provided wood screws (2 total) to attach the back plate to the mounting surface.



Concrete Surface Installation



NOTE Concrete anchors must be used for concrete installation.



- Step 1.** Begin by placing the wall plate into position against the wall, keeping it level.
- Step 2.** Mark four holes to be used for securing the mount (please see diagram to the right).
- Step 3.** Next, drill holes using an electric drill and 5/16" masonry drill bit.

- Step 4.** Place the mount over the holes and align the four mounting points on the wall plate.
- Step 5.** Insert four (4) concrete anchors into the pre-drilled holes.
- Step 6.** Use a hammer and lightly tap each anchor into place so that they are resting securely in the wall.



- Step 7.** Before tightening, re-level the mount.

- Step 8.** Once the mount is level, tighten the concrete anchors using a 10mm socket and socket wrench.



Do not overtighten the wedge anchors.



Determining the Mounting Hardware

- Step 1.** Insert the thread depth indicator (supplied) through the thread inserts found on the back of the flat panel.
- Step 2.** Using a pencil, mark the depth of the thread insert on the thread depth indicator (Figure 2).
- Step 3.** Compare and verify the depth of the remaining thread inserts.
- Step 4.** Locate the correct diameter screw for the thread insert.
- Step 5.** Compare your thread depth indicator marking to the screw length.



NOTE

If your selected screw is longer than the marking on the thread depth indicator, do not use this screw. The screw length must not bypass the marking. If so, select another screw size (Figure 2 and 3) until you find the screw that comes closest to your mark without going past the marking.



When using the universal spacers in the installation, make sure to account for the appropriate spacing depth when measuring with the thread depth indicator. Using the universal spacers will change the overall length of the hardware used.

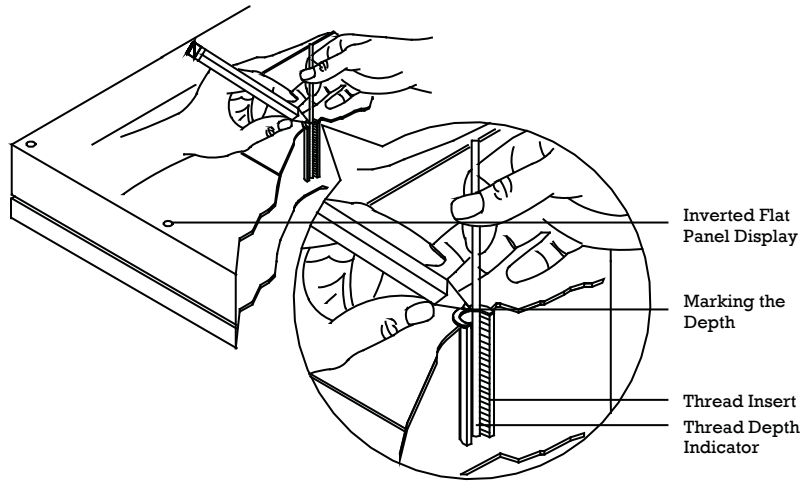


Figure 1

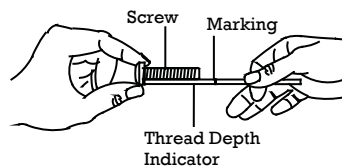


Figure 2

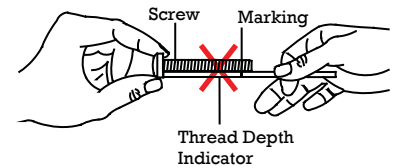


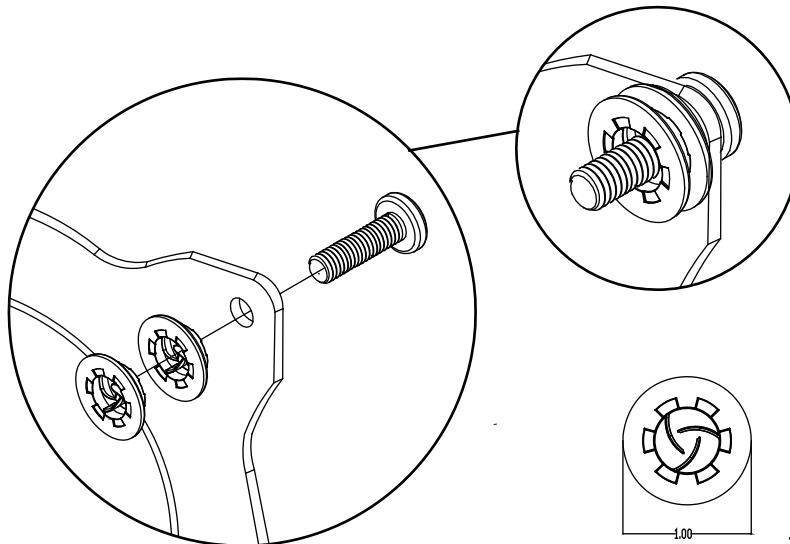
Figure 3

Universal Spacers Installation



NOTE

If your flat panel has uneven mounting points, or recessed mounting points, please use the provided universal spacers.



The universal spacer may be stacked five (5) high, for a total stacking height of 1-1/4". The universal spacers must be stacked in the direction shown above. The universal spacers must be placed between the mounting bracket and the flat panel. The universal spacer will fit M4, M5, M6 and M8 screw sizes.



VESA Adapter Plate Installation (Optional)

NOTE If your flat panel has a 200mm x 100mm or 200mm x 200mm mounting pattern, the VESA Adapter Plate must be used. Please refer to the VESA Adapter Plate Pattern to determine the appropriate mount placement.

CAUTION DO NOT OVERTIGHTEN THE SCREWS.

NOTE If you have a recessed mounting pattern, use the universal spacers to compensate for the indentation (refer to page 6).

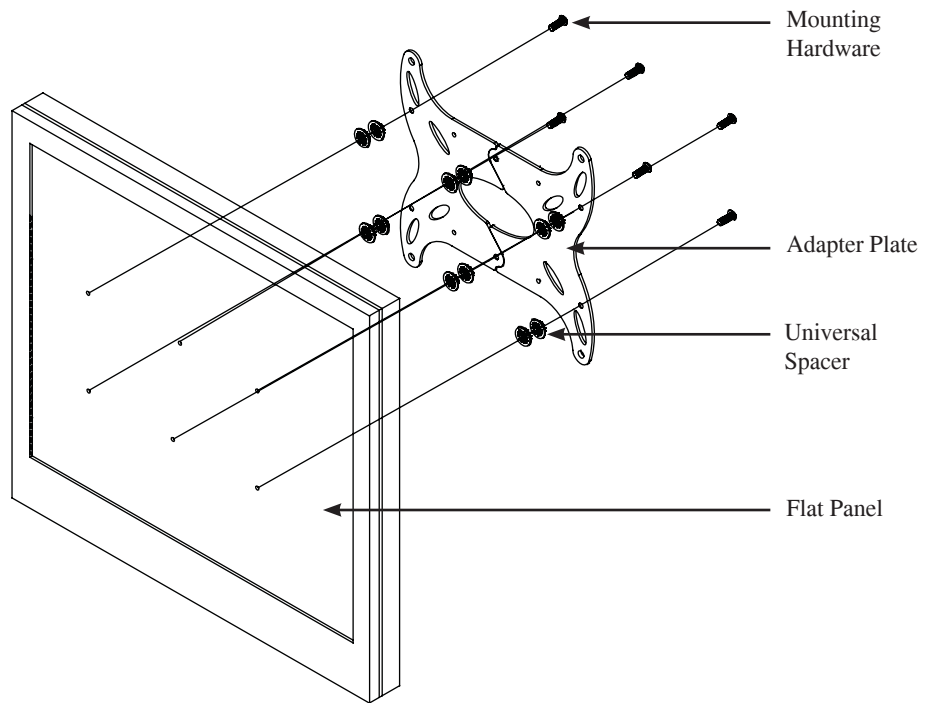
Step 1

Attach the VESA Adapter Plate to the back of the flat panel using the appropriate mounting hardware.



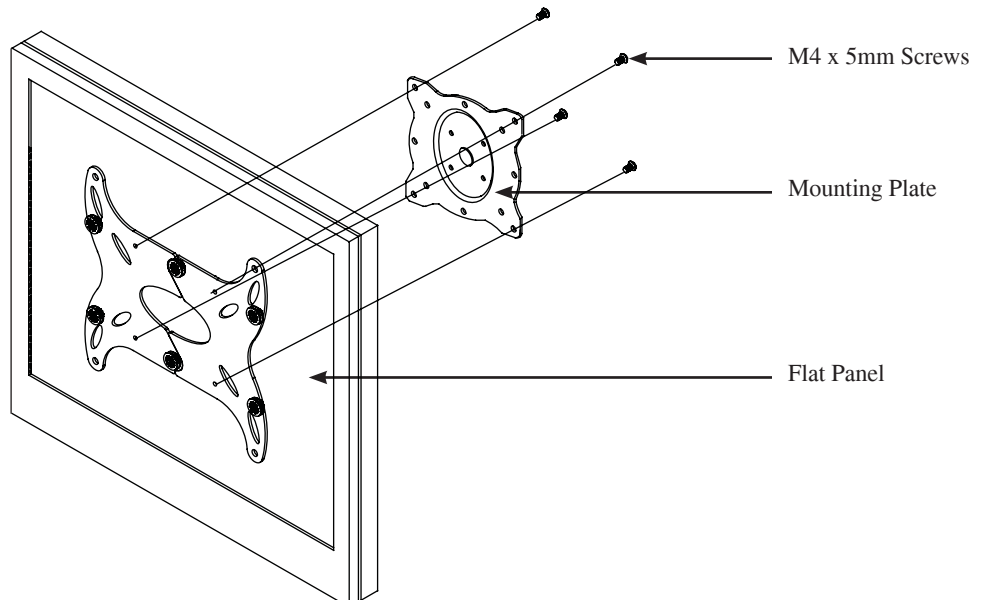
200mm x 100mm Mounting Pattern Installation

If using a 200mm x 100mm mounting pattern to attach the LPSA1530 to your flat panel, please use six (6) **M4 Flat** head screws. Using rounded Phillips head combo screws for the 200mm x 100mm VESA plate may damage your flat panel.




Step 2


Attach the LPSA1530 mounting plate to the back of the VESA Adapter Plate using four (4) M4 x 5mm screws.

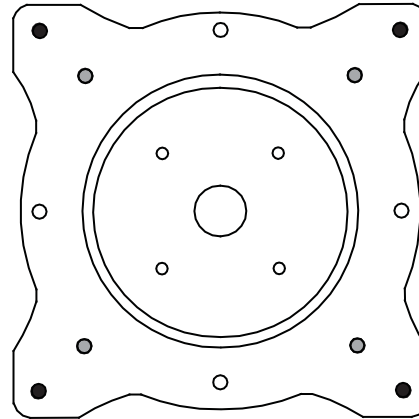


Attaching the Flat Panel

 **NOTE** If you have a recessed mounting pattern, use the universal spacers to compensate for the indentation.



 **NOTE** The illustration to the left shows a 75mm x 75mm mounting pattern.

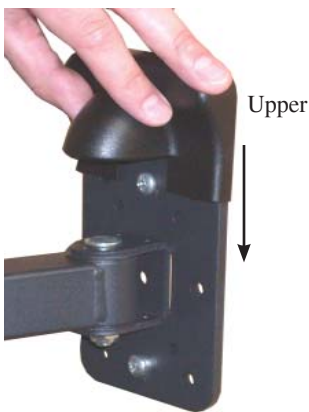


● 100mm x 100mm

○ 75mm x 75mm

- Step 1.** Locate the mounting points that are on the back of the flat panel.
- Step 2.** Using Page 6 as a guide, determine the mounting hardware.
- Step 3.** Line up the mounting points on the flat panel with the corresponding mounting holes on the mount.
- Step 4.** Loosely attach the upper two (2) mounting screws and then attach the lower two (2) mounting screws.
- Step 5.** Use a Phillips tip screwdriver to tighten all mounting hardware.

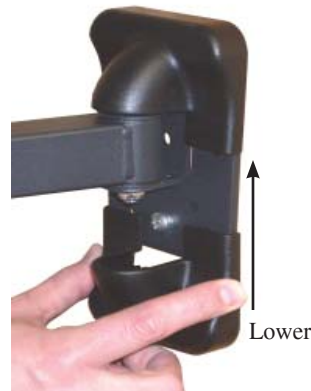
Wall Plate Cover Installation



Step 1. Place the upper cover over the wall plate.



Step 2. Slide the cover down onto the wall plate and press firmly into place.



Step 3. Place the lower cover under the wall plate.



Step 4. Slide the cover up onto the wall plate and press firmly into place.

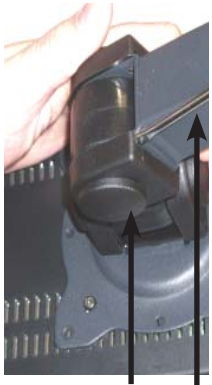


Tension Adjustment



NOTE

This flat panel mount has a number of tension points that may be adjusted. Use care when removing the tension nut caps with the screwdriver.



Tension Nut Cap

Screwdriver

Step 1. Use a screwdriver to gently remove the tension cap.



Tension Nut

Step 2. With the tension cap removed, the tension nut will be exposed.



14mm Wrench

Step 3. Use a 14mm wrench to tighten, or loosen, the tension nut.



Tension Nut Cap

Step 4. Once the desired tension has been achieved, re-attach the tension nut cap.

Adjusting the Flat Panel Mount



NOTE

After adjusting the tension on the flat panel mount, the flat panel will need to be adjusted.

To Adjust the Flat Panel Down



- Step 1.** Place one hand at the top edge of the flat panel.
- Step 2.** Place the other hand on the bottom edge of the flat panel.
- Step 3.** Using the upper hand, gently pull the top of the flat panel away from the wall while the lower hand gently pushes the bottom of the flat panel towards the wall.
- Step 4.** Repeat steps 1 thru 3 until the desired viewing angle is achieved.

To Adjust the Flat Panel Up



- Step 1.** Place one hand at the top edge of the flat panel.
- Step 2.** Place the other hand on the bottom edge of the flat panel.
- Step 3.** Using the upper hand, gently push the top of the flat panel towards the wall while the lower hand gently pulls the bottom of the flat panel away from the wall.
- Step 4.** Repeat steps 1 thru 3 until the desired viewing angle is achieved.

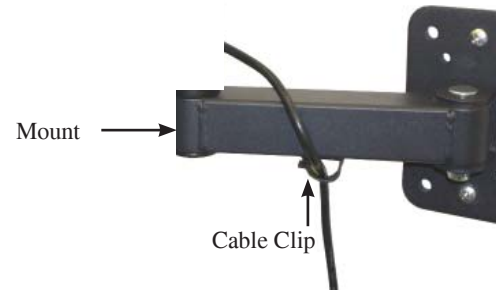


Cable Management

Step 1. Route any cables through the cable clip that is located on the extension arm.



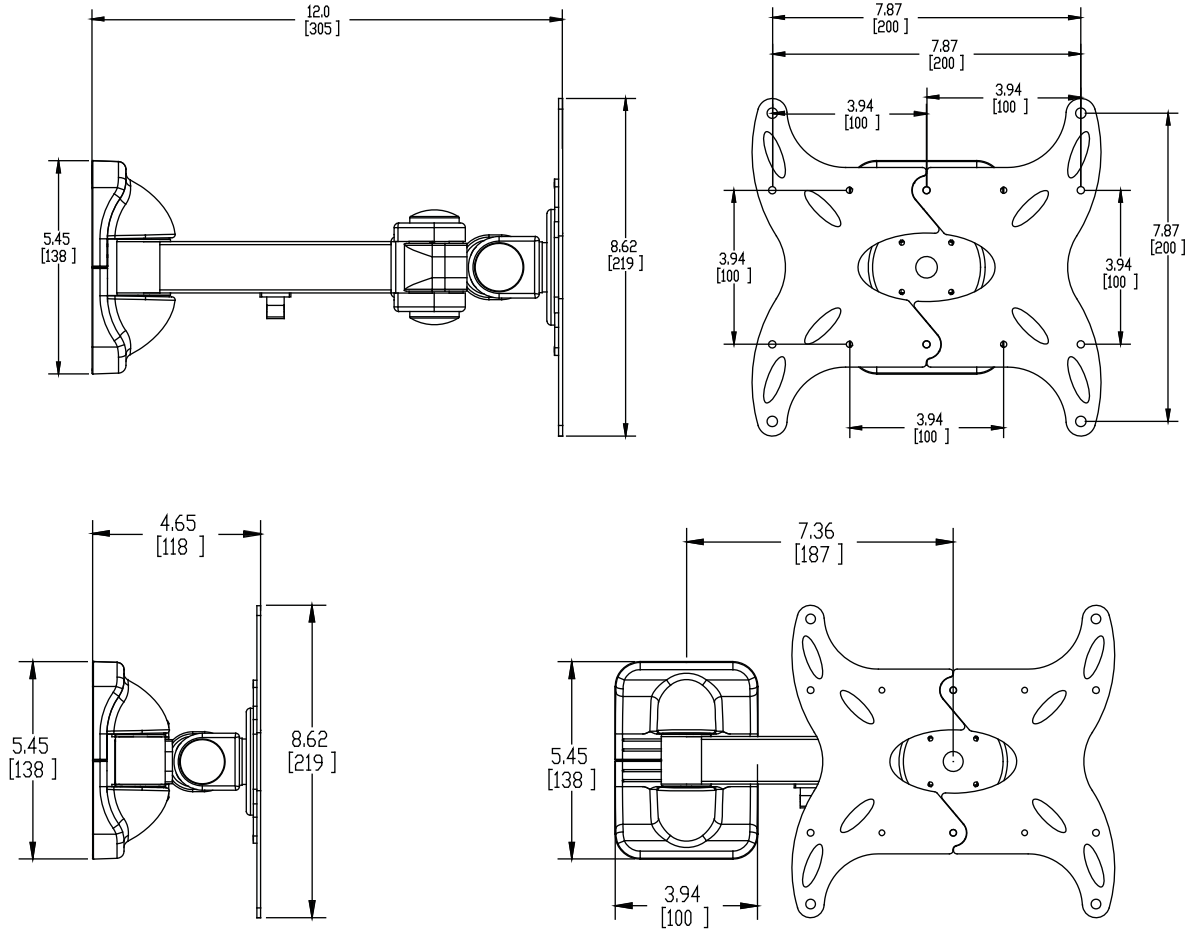
NOTE Be sure that you leave enough cable slack to allow for the full extension of the arm.



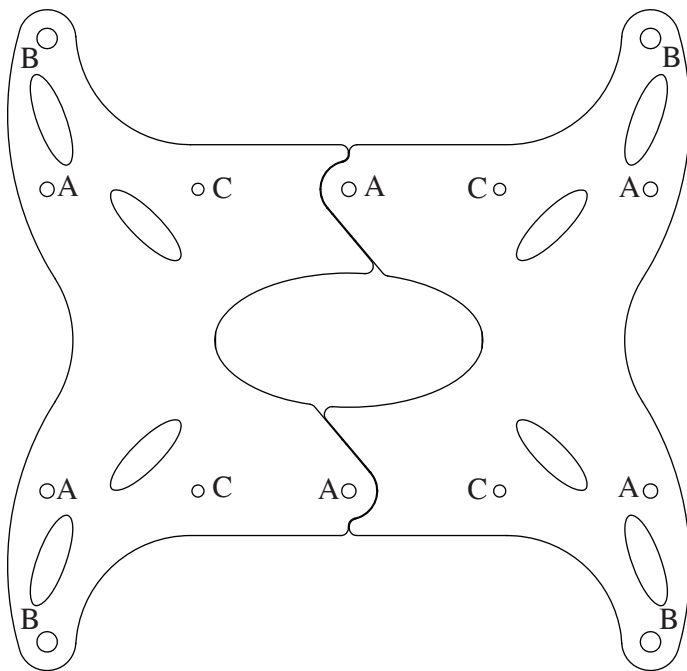


Technical Specification

All measurements are in inches[mm].



VESA Adapter Plate Pattern



Please refer to the hardware pack that is included with the LPSA1530 to determine the correct mounting hardware for your application.

- NOTE:**
- A.** 200 X 100 VESA Pattern
M4 Phillips Flat Head screws only.
 - B.** 200 X 200 VESA Pattern
If an M4 or M5 is to be used for location B, an M4 or M5 washer must be used.
 - C.** 100 X 100 VESA Pattern



Warranty

PREMIER MOUNTS LIMITED LIFETIME WARRANTY

What and Who is Covered by this Limited Warranty and for How Long

Premier Mounts warrants this product to be free from defects in material and workmanship for the lifetime of the original owner of this product. The limited warranty is valid only for the original purchaser of the product.

What Premier Mounts Will Do

At the sole option of Premier Mounts, Premier Mounts will repair or replace any product or product part that is defective. If Premier Mounts chooses to replace a defective product or part, a replacement product or part will be shipped to you at no charge, but you must pay any labor costs.

What is Not Covered; Limitations

PREMIER MOUNTS DISCLAIMS ANY LIABILITY FOR DAMAGE TO MOUNTS, ADAPTERS, DISPLAYS, PROJECTORS, OTHER PROPERTY, OR PERSONAL INJURY RESULTING, IN WHOLE OR IN PART, FROM IMPROPER INSTALLATION, MODIFICATION, USE OR MISUSE OF ITS PRODUCTS.

PREMIER MOUNTS DISCLAIMS ALL OTHER WARRANTIES, EXPRESS OR IMPLIED, INCLUDING WARRANTIES OF MERCHANTABILITY AND FITNESS FOR A PARTICULAR PURPOSE. PREMIER MOUNTS IS NOT RESPONSIBLE FOR INCIDENTAL OR CONSEQUENTIAL DAMAGES, INCLUDING BUT NOT LIMITED TO, INABILITY TO USE ITS PRODUCTS OR LABOR COSTS FOR REMOVING AND REPLACING DEFECTIVE PRODUCTS OR PARTS. SOME STATES DO NOT ALLOW THE EXCLUSION OR LIMITATION OF INCIDENTAL OR CONSEQUENTIAL DAMAGES, SO THE ABOVE LIMITATION OR EXCLUSION MAY NOT APPLY TO YOU.

What Customers Must Do for Limited Warranty Service

If you discover a problem that you think may be covered by the warranty you **MUST REPORT** it in writing to the address below within thirty (30) days. Proof of purchase (an original sales receipt) from the original consumer purchaser must accompany all warranty claims. Warranty claims must also include a description of the problem, the purchaser's name, address, and telephone number. General inquiries can be addressed to Premier Mounts Customer Service at 1-800-368-9700. Warranty claims will not be accepted over the phone or by fax.

Premier Mounts
Attn: Warranty Claim
3130 East Miraloma Ave.
Anaheim, CA 92806

How State Law Applies

THIS WARRANTY GIVES YOU SPECIFIC LEGAL RIGHTS, AND YOU MAY ALSO HAVE OTHER RIGHTS WHICH VARY FROM STATE TO STATE.