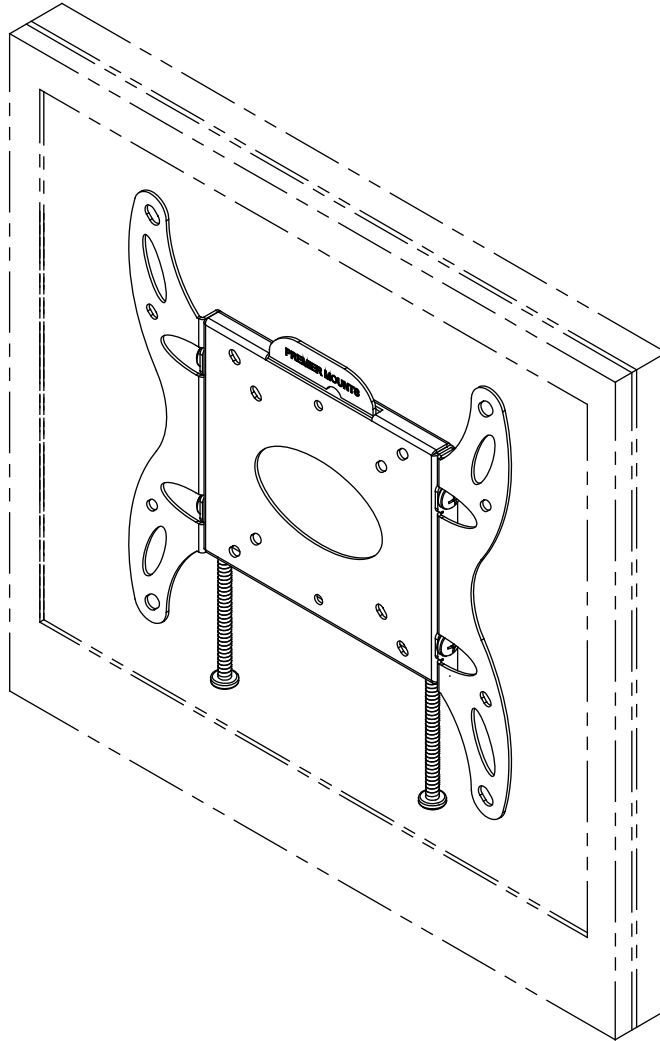


INSTALLATION INSTRUCTIONS



LPFM1532 for 15" - 32" Flat-Panels Universal Low Profile Flat Mount

NORTH AMERICA

3130 East Miraloma Avenue
Anaheim, CA 92806 USA
USA and Canada –
Phone: 800-368-9700
Fax: 800-832-4888

EUROPE

Swallow House,
Shilton Industrial Estate,
Shilton, Coventry, England CV79JY
Phone: +44 (0) 2476 614700
Fax: +44 (0) 2476 614710

Other Locations – Phone: (001)-714-632-7100; Fax: (001)-714-632-1044

©Premier Mounts 2009

9531-201-001-00



Table of Contents

Warning Statements 2

Parts List 3

Installation Tools 3

Wood Stud Installation 4

Concrete Surface Installation 5

Determining the Mounting Hardware 6

Universal Spacers 6

Cover Plate Installation 7

Adapter Plate Installation 7


Cover Plate Installation with Adapter Plates Attached (Optional) 8


Flat Panel Installation 9


Technical Specifications 10

Warranty 11


Warning Statements

 PRIOR TO THE INSTALLATION OF THIS PRODUCT, THE INSTALLATION INSTRUCTIONS SHOULD BE READ AND COMPLETELY UNDERSTOOD. THE INSTALLATION INSTRUCTIONS MUST BE READ TO PREVENT PERSONAL INJURY AND PROPERTY DAMAGE. KEEP THESE INSTALLATION INSTRUCTIONS IN AN EASILY ACCESSIBLE LOCATION FOR FUTURE REFERENCE.


 PREMIER MOUNTS DOES NOT WARRANT AGAINST DAMAGE CAUSED BY THE USE OF ANY PREMIER MOUNTS PRODUCT FOR PURPOSES OTHER THAN THOSE FOR WHICH IT WAS DESIGNED OR DAMAGE CAUSED BY UNAUTHORIZED ATTACHMENTS OR MODIFICATIONS, AND IS NOT RESPONSIBLE FOR ANY DAMAGES, CLAIMS, DEMANDS, SUITS, ACTIONS OR CAUSES OF ACTION OF WHATEVER KIND RESULTING FROM, ARISING OUT OF OR IN ANY MANNER RELATING TO ANY SUCH USE, ATTACHMENTS OR MODIFICATIONS.


 THE SURFACE MUST BE CAPABLE OF SUPPORTING AT LEAST FIVE TIMES THE WEIGHT OF THE FLAT PANEL. IF NOT, THE MOUNTING STRUCTURE MUST BE REINFORCED. THE MAXIMUM WEIGHT THAT CAN BE USED WITH THIS PRODUCT IS 50LBS. PROPER INSTALLATION PROCEDURE BY A QUALIFIED SERVICE TECHNICIAN, AS OUTLINED IN THE INSTALLATION INSTRUCTIONS, MUST BE ADHERED TO. FAILURE TO DO SO COULD RESULT IN SERIOUS PERSONAL INJURY, OR EVEN DEATH.

 SAFETY MEASURES MUST BE PRACTICED AT ALL TIMES DURING THE ASSEMBLY OF THIS PRODUCT. USE PROPER SAFETY GEAR AND TOOLS FOR THE ASSEMBLY PROCEDURE TO PREVENT PERSONAL INJURY.


 At least two qualified people should perform the assembly procedure. Injury and/or damage can result from dropping or mishandling the flat panel.

 If mounting to studs, make sure that the mounting screws are anchored into the center of the studs. Use of an edge-to-edge stud finder is recommended.

 Be aware of the mounting environment. If drilling and/or cutting into the mounting surface, always make sure that there are no electrical wires in wall. Cutting/drilling into an electrical line may cause serious injury.

 Make sure there are no water lines inside the wall where the mount is to be located. Cutting/drilling into a water line may cause severe water damage to the mounting surface.

 This product is intended for indoor use only. Use of this product outdoors could lead to product failure and personal injury.

 Do not install near sources of high heat. Do not install on a structure that is prone to vibration, movement or chance of impact.

 Contact Premier Mounts with any questions
 (800) 368-9700
 techsupport@mounts.com



Parts List



Congratulations on the purchase of your new Premier Mounts LPFM1532 flat-panel mount. This mount is shipped with all proper installation hardware and components. Make sure that none of these parts are missing and/or damaged before beginning installation. If there are parts missing and/or damaged, please stop the installation and contact Premier Mounts (800-368-9700).



<p>Cover Plate (Qty 1)</p>		<p>Wall Plate (Qty 1)</p>		<p>Adapter Plate (Qty 2)</p>			
M4 x 10mm Phillips Head Screw (Qty 6)	M4 x 16mm Phillips Head Screw (Qty 6)	M4 x 20mm Phillips Head Screw (Qty 6)	M4 x 30mm Phillips Head Screw (Qty 6)	M4 x 45mm Phillips Head Screw (Qty 6)	M5 x 10mm Phillips Head Screw (Qty 4)	M5 x 16mm Phillips Head Screw (Qty 4)	M5 x 20mm Phillips Head Screw (Qty 4)
M5 x 30mm Phillips Head Screw (Qty 4)	M5 x 45mm Phillips Head Screw (Qty 4)	M6 x 10mm Phillips Head Screw (Qty 4)	M6 x 16mm Phillips Head Screw (Qty 4)	M6 x 20mm Phillips Head Screw (Qty 4)	M6 x 30mm Phillips Head Screw (Qty 4)	M6 x 45mm Phillips Head Screw (Qty 4)	
M4 Flat Washers (Qty 4)	M5 Flat Washers (Qty 4)	M6 x 8mm Phillips Head Screw (Qty 4)	#10 x 2" Screws (Qty 2)	Universal Spacers (Qty 30)	#10 x 1-1/4" Screws (Qty 4)	#10 Wall Anchors (Qty 4)	Thread Depth Indicator

Installation Tools (not supplied)

	Phillips Screwdriver	1/8" Drill Bit	Electronic Studfinder	Drill	Level



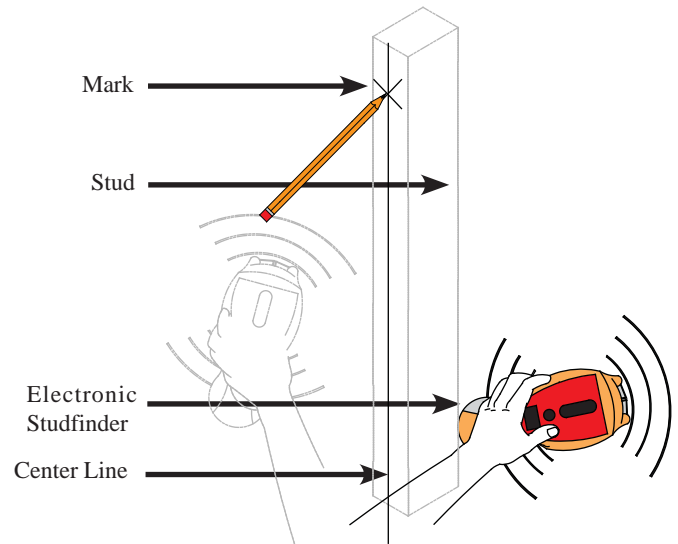
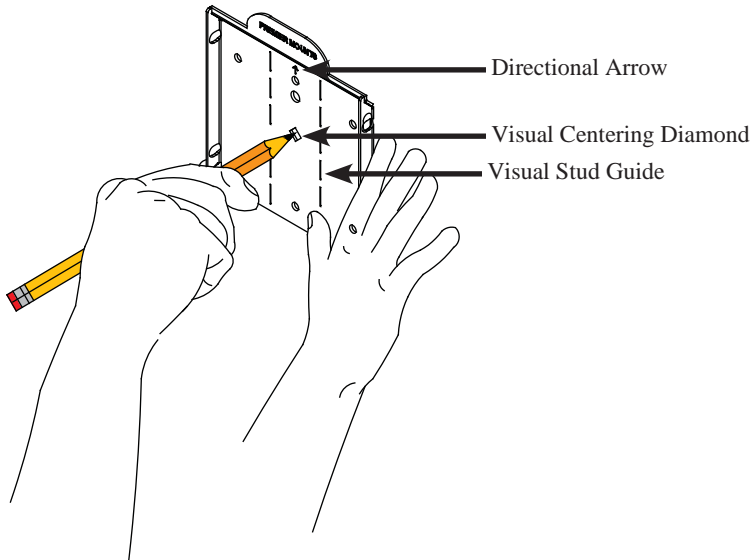
Wood Stud Installation



NOTE Prior to installation, the two (2) M6 x 75mm Phillips head locking screws must be removed. These two screws are located on the bottom of the LPFM1532.

Visual Centering Diamond - The visual centering diamond will allow you to determine the center of the wood stud. It will also allow you to determine the exact center for the flat-panel placement on the wall. The visual centering diamond will work in conjunction with the visual stud guide.

Visual Stud Guide - The visual stud guide will allow you to determine exactly where both edges of the wood stud is within the wall. Once both edges of the wood stud have been located, the visual centering diamond will be directly over the exact center of the wood stud. Once the plate is in this position, the two mounting holes may be marked.



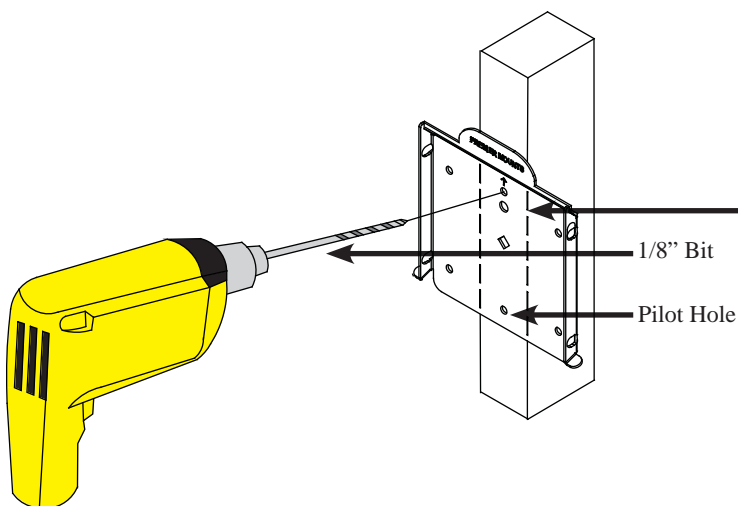
Step 1. Place the wall plate against the wall with the directional arrow pointing up.

Step 2. Use a pencil to make a mark in the center of the visual centering diamond. This will be the center position of the flat panel.

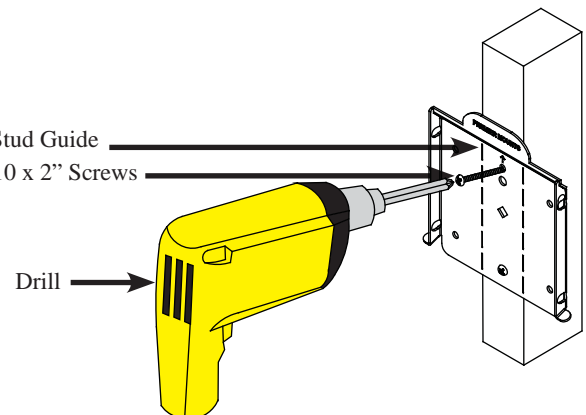
Step 3. Use an electronic studfinder to locate the stud.

Step 4. Align the plate to the stud and visually verify the flat-panel placement now that the stud has been located.

Step 5. Once the center of the stud has been located, mark the wall at the two (2) screw hole locations.



Step 3. Use a 1/8" bit and create pilot holes where the 2 markings were made.



Step 4. Insert two (2) #10 X 2" screws into the pre-drilled pilot holes.

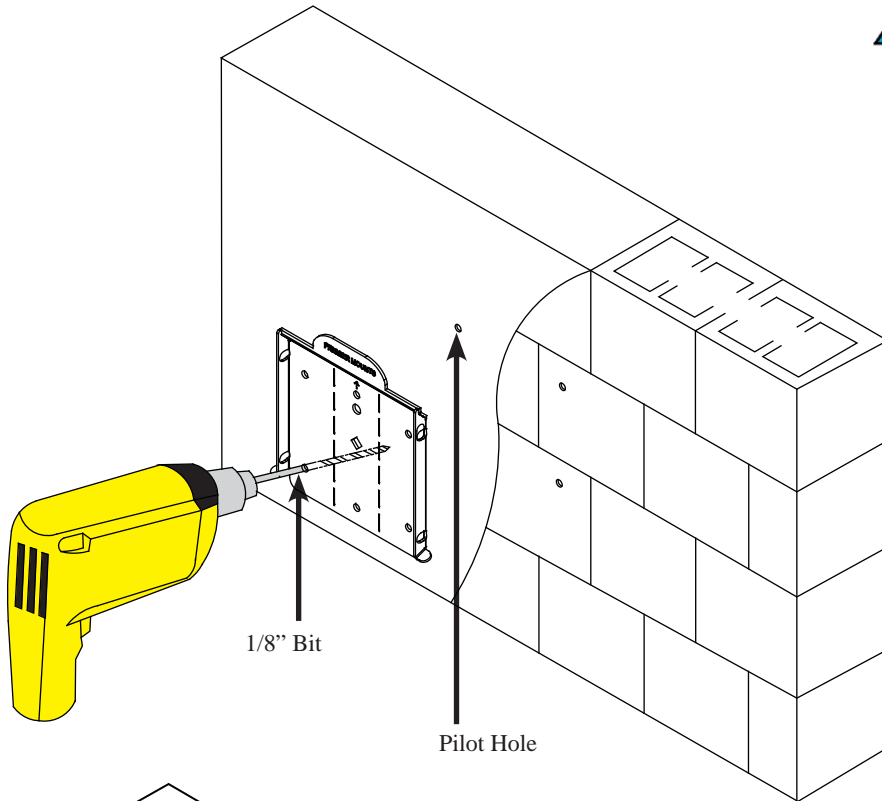
Step 5. Tighten the wall plate screws at this time.



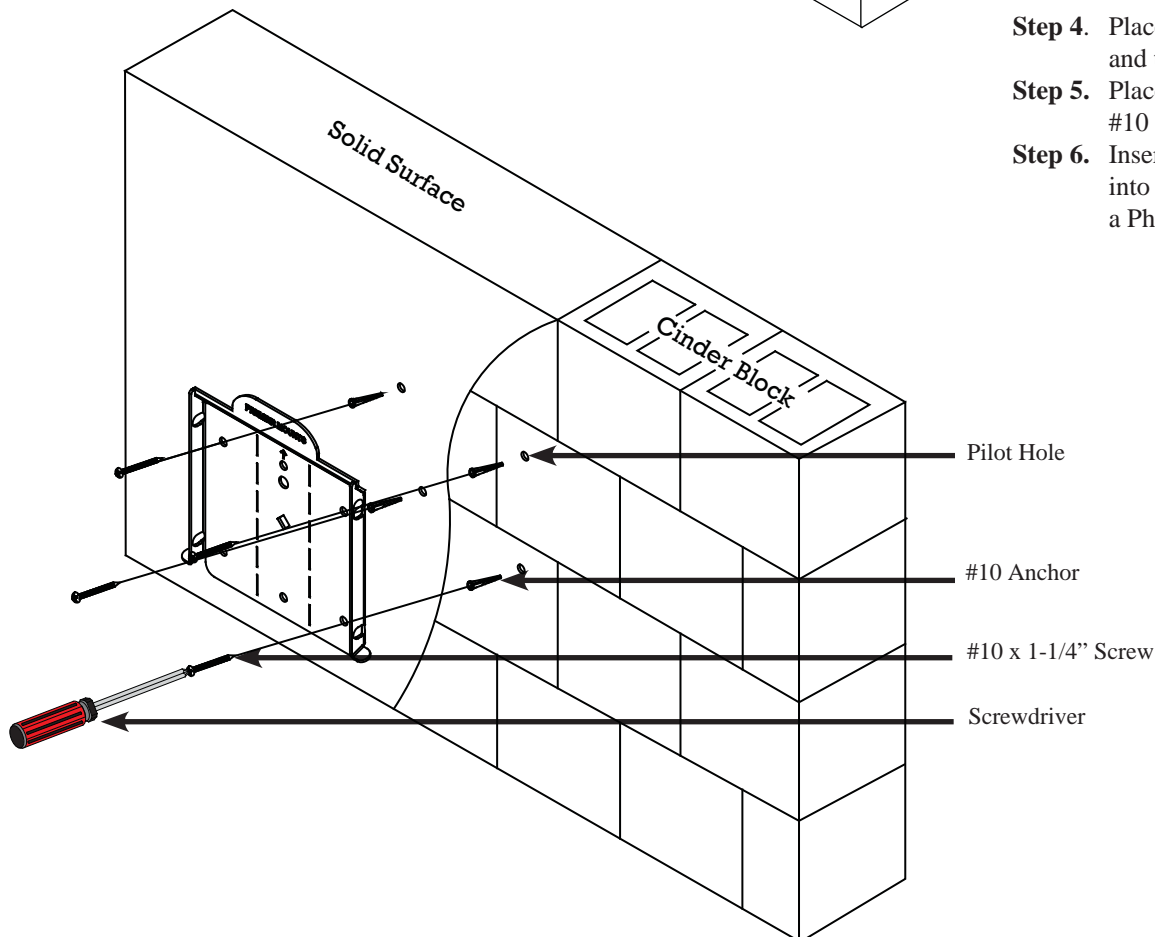
Concrete Surface Installation



NOTE You will have four (4) mounting holes when installaing into concrete.



- Step 1.** Use the visual centering diamond to help determine the placement of the back plate.
- Step 2.** Once the mounting placement has been determined, use a pencil to mark the mounting points.
- Step 3.** Drill the mounting holes using a 1/8" drill bit where the pencil marks have been made.



- Step 4.** Place the #10 anchor into the hole, and tap into place.
- Step 5.** Place the backplate over the inserted #10 anchors.
- Step 6.** Insert four (4) #10 x 1-1/4" screws into the #10 anchors and tighten using a Phillips tip screwdriver.



Determining the Mounting Hardware

- Step 1.** Insert the thread depth indicator (supplied) through the thread inserts found on the back of the flat panel to make sure the inserts measure the same full depth and mark it (Figure 1).
- Step 2.** Locate the correct diameter screw for the thread insert. Compare your marking to the screws (supplied).
- Step 3.** If your selected screw is longer than the marking on the thread depth indicator, DO NOT USE this screw.
- Step 4.** The screw length must not bypass the marking. Select another screw size (Figure 2 and 3), until you find one that comes closest to your mark without going past.



When using the universal spacers (see below) in the installation, make sure to account for the appropriate spacing depth when measuring with the thread depth indicator. Using the universal spacers will change the overall length of the hardware used.

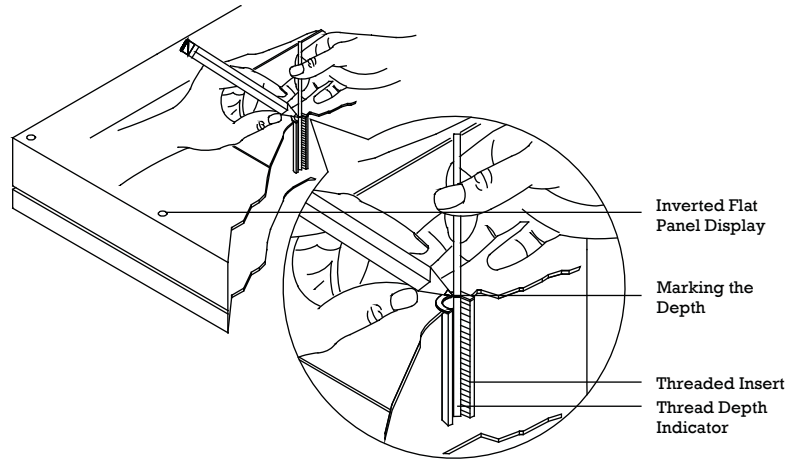


Figure 1

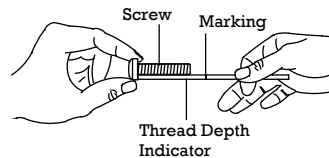


Figure 2

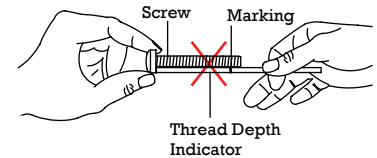
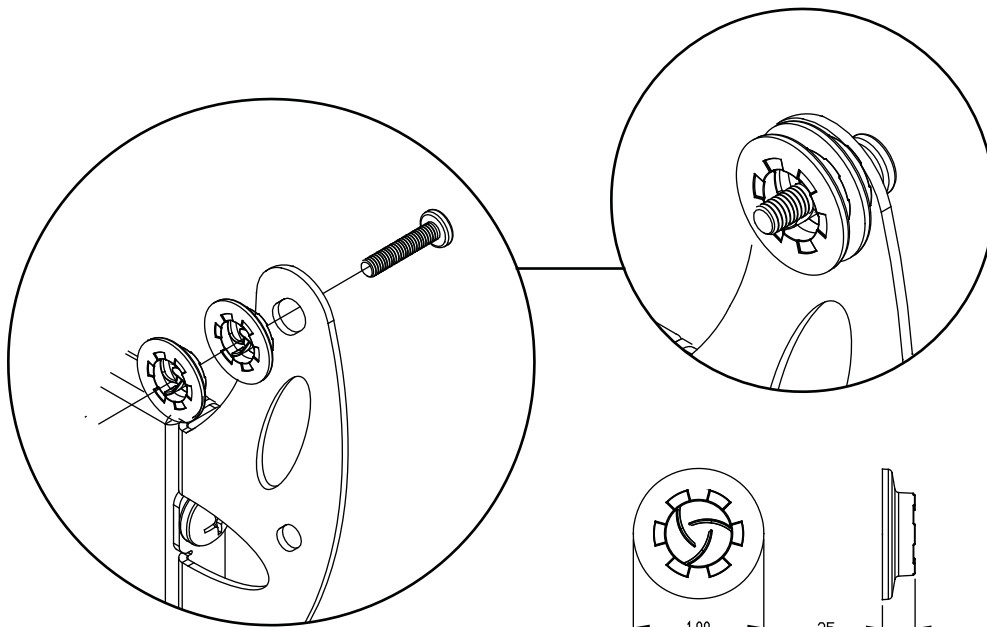


Figure 3

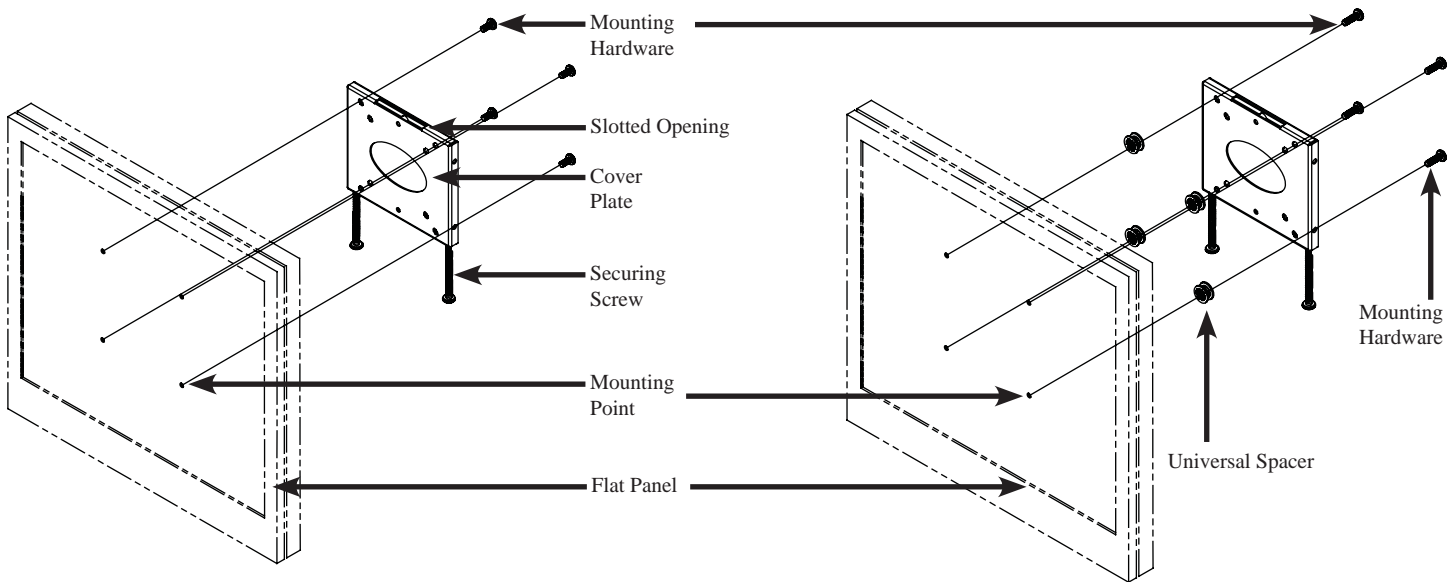
Universal Spacers Installation



The universal spacer may be stacked five (5) high, for a total stacking height of 1-1/4". The universal spacers must be stacked in the direction shown above. The universal spacers must be placed between the mounting bracket and the flat-panel. The universal spacer can fit M4, M5, M6 and M8 screws sizes.



Cover Plate Installation



- Step 1.** Secure the cover plate to the flat panel using four (4) Phillip screws (supplied).
- Step 2.** The slotted opening must be facing up and the flat surface touching the flat panel surface.



DO NOT OVERTIGHTEN THE MOUNTING SCREWS

Recessed VESA 75mm/100mm Pattern



NOTE

Universal spacer stacking is limited to five (5) spacers max for each mounting screw.

- Step 1.** If you have a recessed VESA 75mm/100mm pattern or need more spacing between the wall and the flat panel, use the appropriate number of universal spacers and corresponding length mounting hardware.

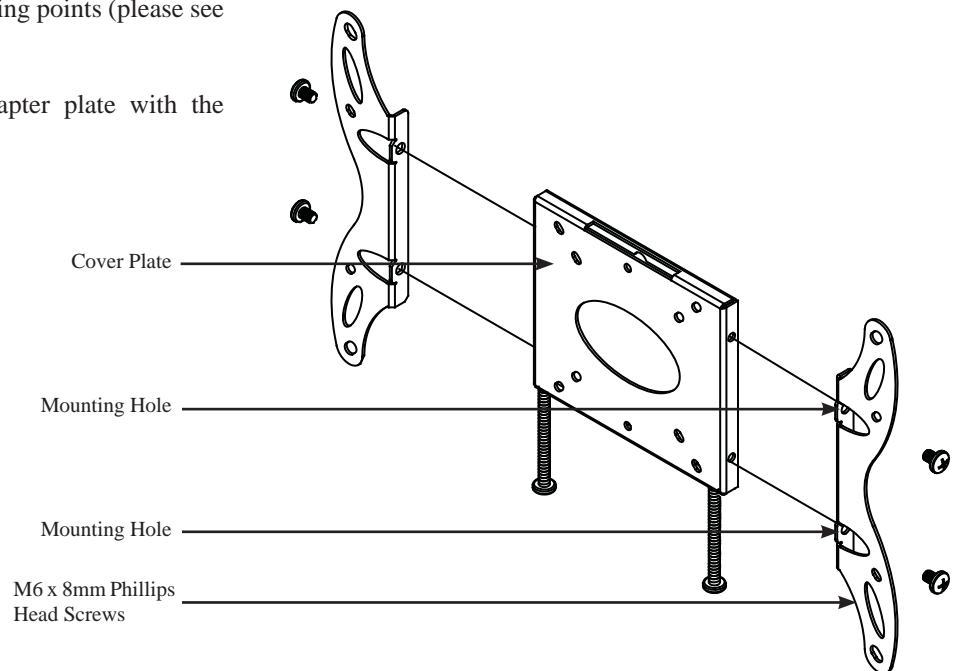


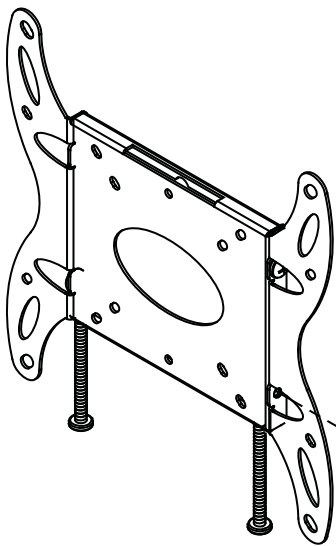
DO NOT OVERTIGHTEN THE MOUNTING SCREWS

Adapter Plate Installation (Optional)

The optional adapter plate can be used if the flat-panel has 200mm x 200mm or 200mm x 100mm mounting points (please see Page 10).

- Step 1.** Line up the side holes on the adapter plate with the side holes on the cover plate.



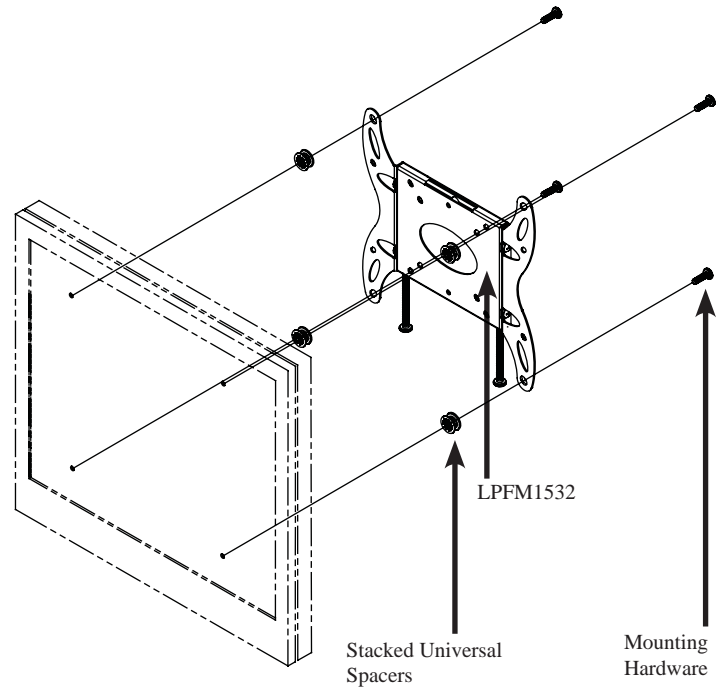
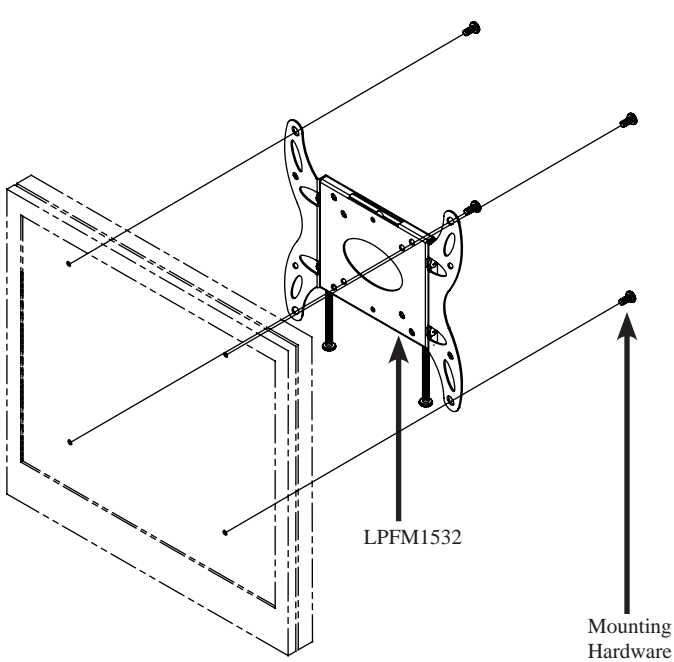


Step 2. Insert four (4; two on each side) M6 x 8mm screws. Tighten using a long Phillips head screwdriver.



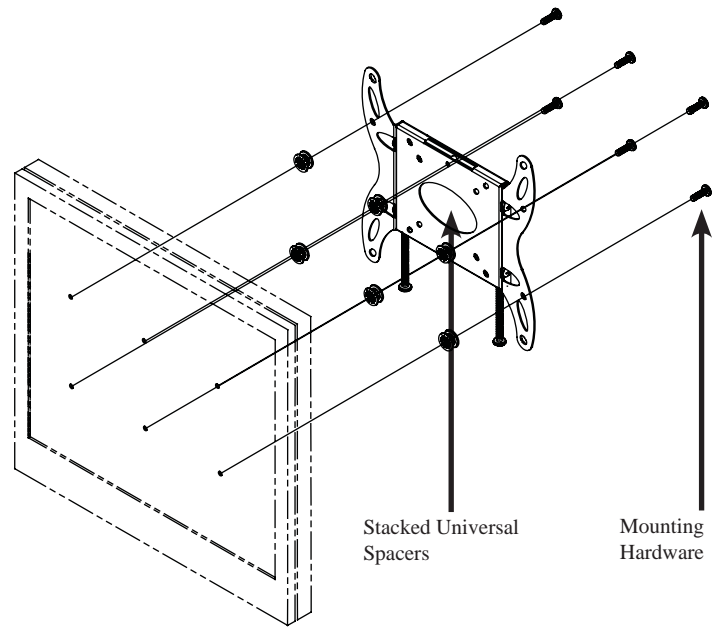
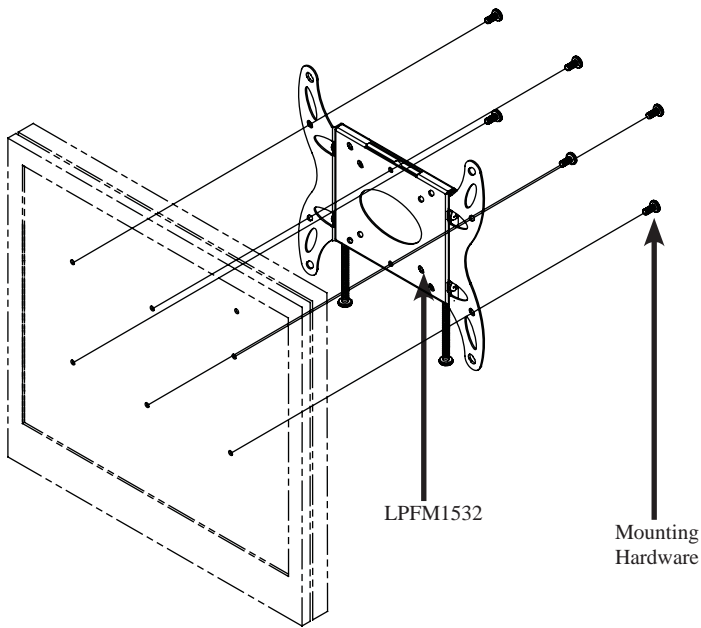
Cover Plate Installation with Adapter Plates Attached (Optional)

200 x 200 Installation

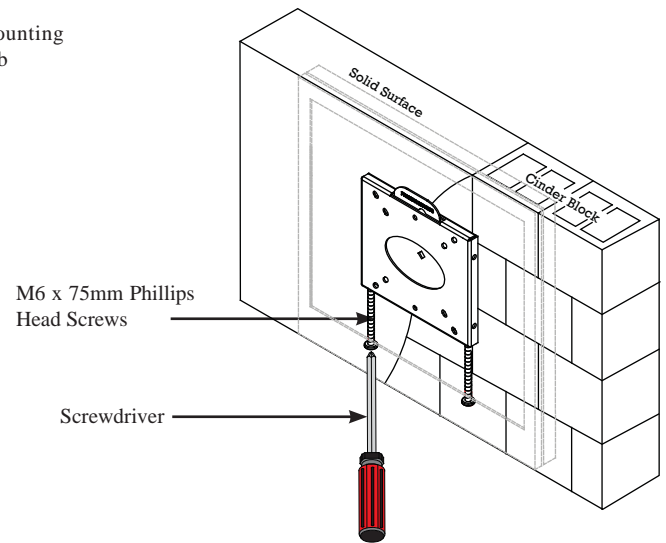
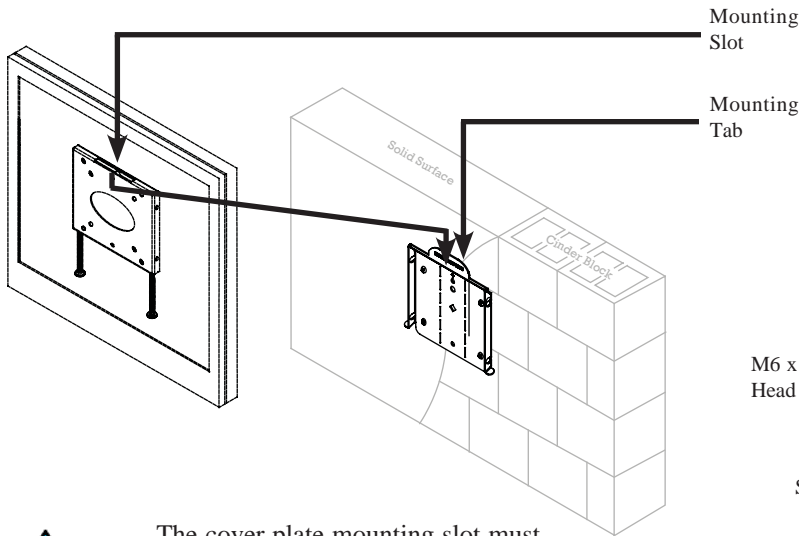




200 x 100 Installation



Flat Panel Installation



NOTE The cover plate mounting slot must be facing up.

Step 1. Lower the flat panel onto the wall plate so that the mounting tab is inserted into the mounting slot.



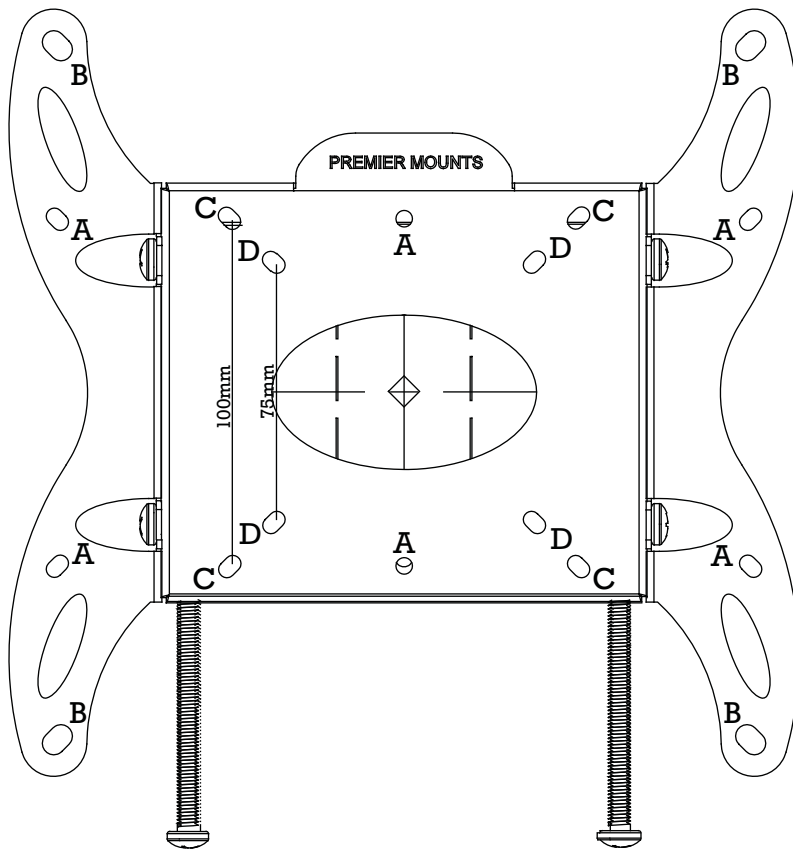
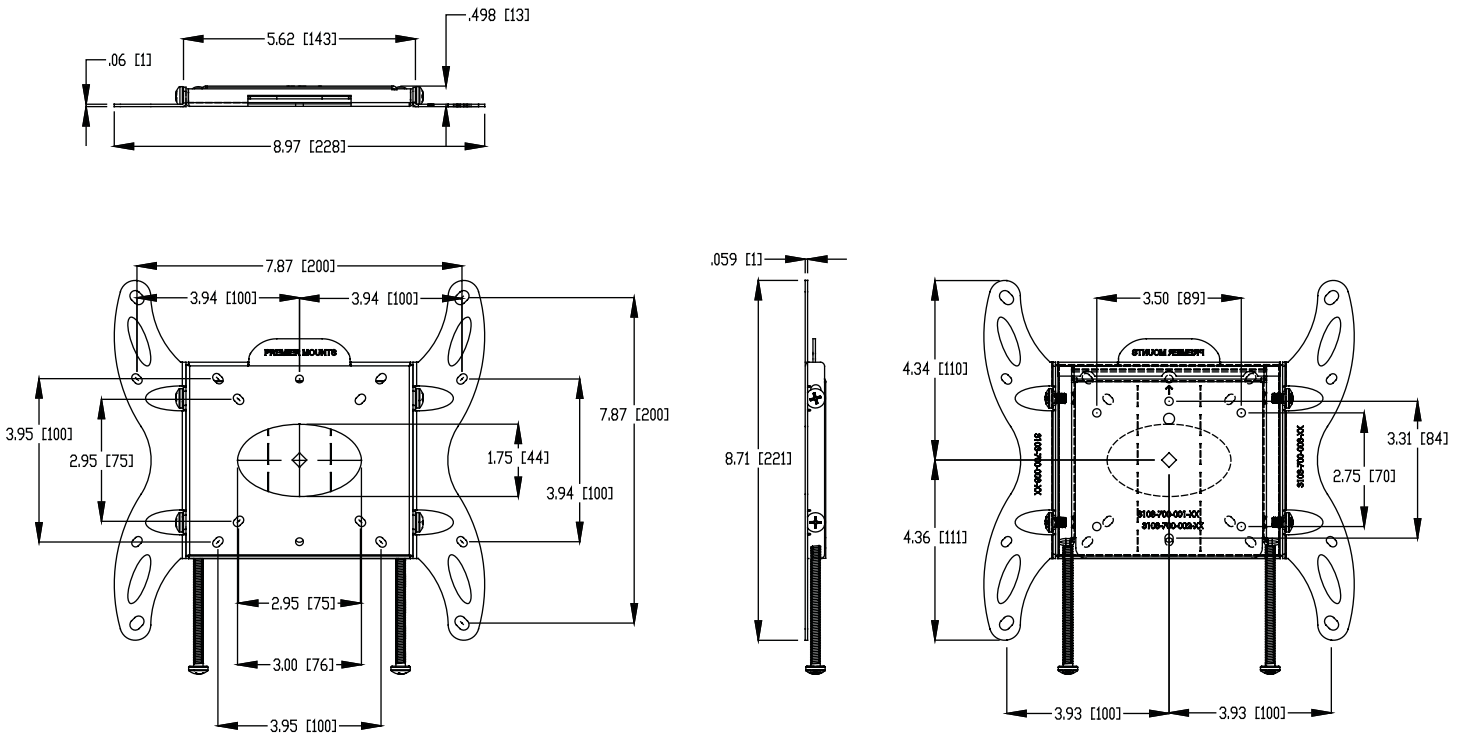
Do not release the display until you are sure the flat panel is resting securely on the wall plate.

Step 2. Secure the two plates by inserting and tightening two (2) M6 x 75mm Phillips head locking screws located at the bottom of the cover plate. Use a Phillips head screwdriver to tighten these screws.



Technical Specifications

All measurements are in inches(mm).



Please refer to the hardware pack that is included with the LPFM1532 to determine the correct mounting hardware for your application.

- NOTE:**
- A.** 200 X 100 VESA Pattern
M4 x 10mm Phillips Flat Head screws only.
 - B.** 200 X 200 VESA Pattern
If an M4 is to be used for location B, an M4 washer must be used as well.
 - C.** 100 X 100 VESA Pattern
 - D.** 75 X 75 VESA Pattern



Warranty

PREMIER MOUNTS LIMITED LIFETIME WARRANTY

What and Who is Covered by this Limited Warranty and for How Long

Premier Mounts warrants this product to be free from defects in material and workmanship for the lifetime of the original owner of this product. The limited warranty is valid only for the original purchaser of the product.

What Premier Mounts Will Do

At the sole option of Premier Mounts, Premier Mounts will repair or replace any product or product part that is defective. If Premier Mounts chooses to replace a defective product or part, a replacement product or part will be shipped to you at no charge, but you must pay any labor costs.

What is Not Covered; Limitations

PREMIER MOUNTS DISCLAIMS ANY LIABILITY FOR DAMAGE TO MOUNTS, ADAPTERS, DISPLAYS, PROJECTORS, OTHER PROPERTY, OR PERSONAL INJURY RESULTING, IN WHOLE OR IN PART, FROM IMPROPER INSTALLATION, MODIFICATION, USE OR MISUSE OF ITS PRODUCTS.

PREMIER MOUNTS DISCLAIMS ALL OTHER WARRANTIES, EXPRESS OR IMPLIED, INCLUDING WARRANTIES OF MERCHANTABILITY AND FITNESS FOR A PARTICULAR PURPOSE. PREMIER MOUNTS IS NOT RESPONSIBLE FOR INCIDENTAL OR CONSEQUENTIAL DAMAGES, INCLUDING BUT NOT LIMITED TO, INABILITY TO USE ITS PRODUCTS OR LABOR COSTS FOR REMOVING AND REPLACING DEFECTIVE PRODUCTS OR PARTS. SOME STATES DO NOT ALLOW THE EXCLUSION OR LIMITATION OF INCIDENTAL OR CONSEQUENTIAL DAMAGES, SO THE ABOVE LIMITATION OR EXCLUSION MAY NOT APPLY TO YOU.

What Customers Must Do for Limited Warranty Service

If you discover a problem that you think may be covered by the warranty you **MUST REPORT** it in writing to the address below within thirty (30) days. Proof of purchase (an original sales receipt) from the original consumer purchaser must accompany all warranty claims. Warranty claims must also include a description of the problem, the purchaser's name, address, and telephone number. General inquiries can be addressed to Premier Mounts Customer Service at 1-800-368-9700. Warranty claims will not be accepted over the phone or by fax.

Premier Mounts
Attn: Warranty Claim
3130 East Miraloma Ave.
Anaheim, CA 92806

How State Law Applies

THIS WARRANTY GIVES YOU SPECIFIC LEGAL RIGHTS, AND YOU MAY ALSO HAVE OTHER RIGHTS WHICH VARY FROM STATE TO STATE.