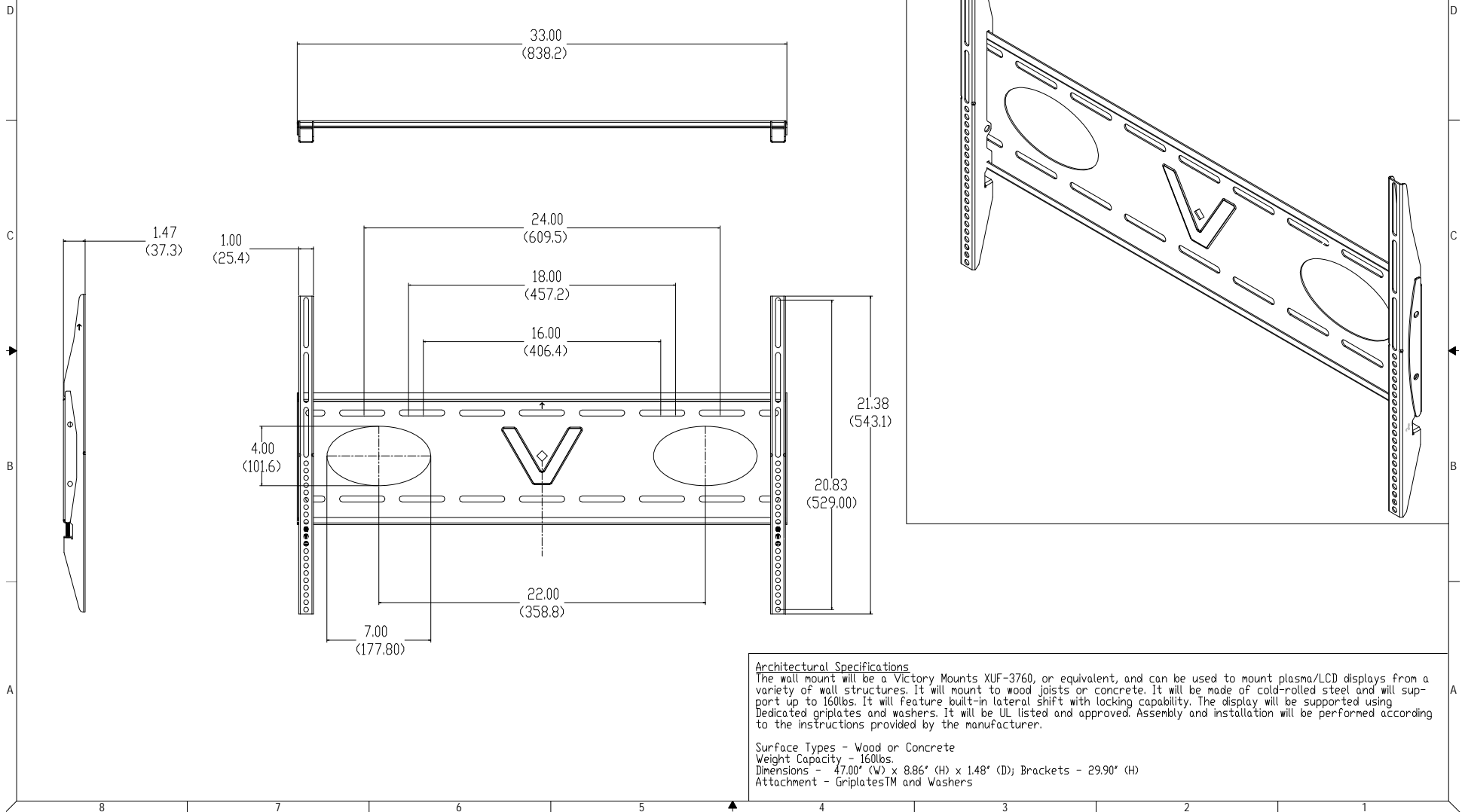


THE INFORMATION CONTAINED IN THIS DRAWING IS THE SOLE PROPERTY OF PREMIER MOUNT DIVISION OF <PMP> ANY REPRODUCTION IN PART OR WHOLE WITHOUT THE WRITTEN PERMISSION OF PREMIER MOUNT DIVISION OF <PMP> IS PROHIBITED.



Architectural Specifications
 The wall mount will be a Victory Mounts XUF-3760, or equivalent, and can be used to mount plasma/LCD displays from a variety of wall structures. It will mount to wood joists or concrete. It will be made of cold-rolled steel and will support up to 160lbs. It will feature built-in lateral shift with locking capability. The display will be supported using Dedicated griplates and washers. It will be UL listed and approved. Assembly and installation will be performed according to the instructions provided by the manufacturer.

Surface Types - Wood or Concrete
 Weight Capacity - 160lbs.
 Dimensions - 47.00" (W) x 8.86" (H) x 1.48" (D); Brackets - 29.90" (H)
 Attachment - Griplates™ and Washers